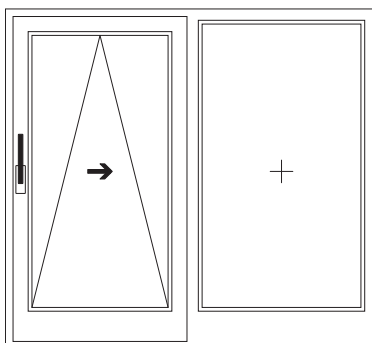
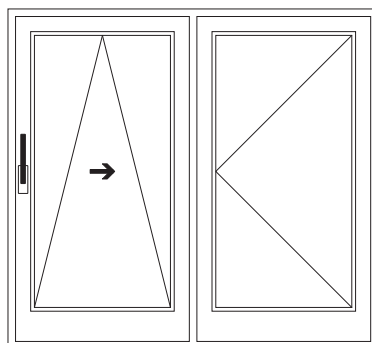


Parallel slide and tilt fittings
for aluminium windows and patio doors

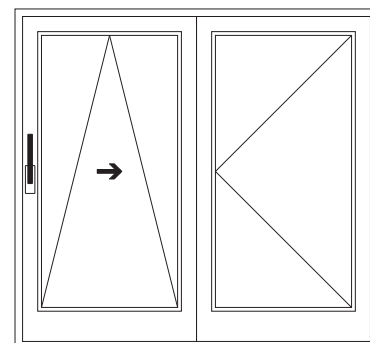
Sash arrangement according to schemes A to K



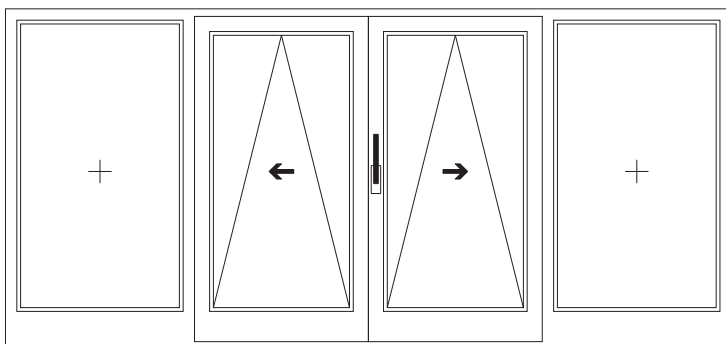
Scheme A – with mullion
1 parallel slide and tilt door, 1 fixed glazing
Drawing shows handle position lh



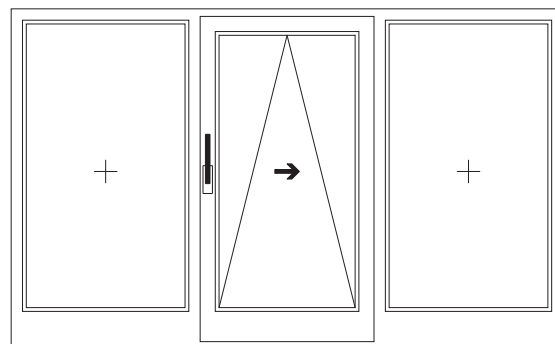
Scheme A – with mullion [1]
1 parallel slide and tilt door, 1 side hung door
Drawing shows handle position lh



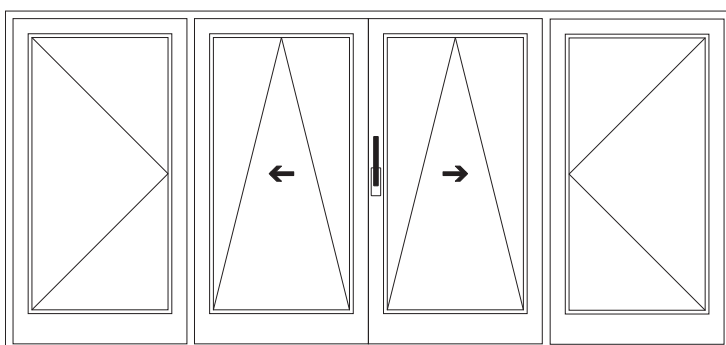
Scheme D – without mullion [2]
1 parallel slide and tilt door, 1 side hung door. Drawing shows handle position lh



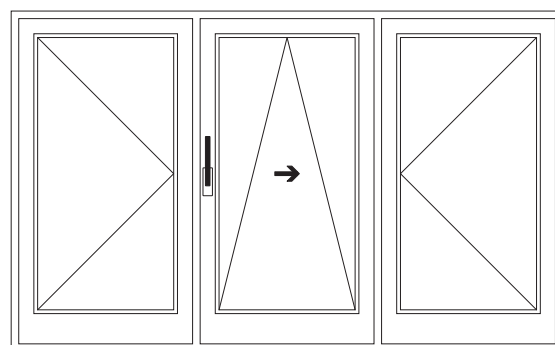
Scheme C – with mullion
2 parallel slide and tilt doors, 2 fixed glazings
Drawing shows first opening sash with handle position lh



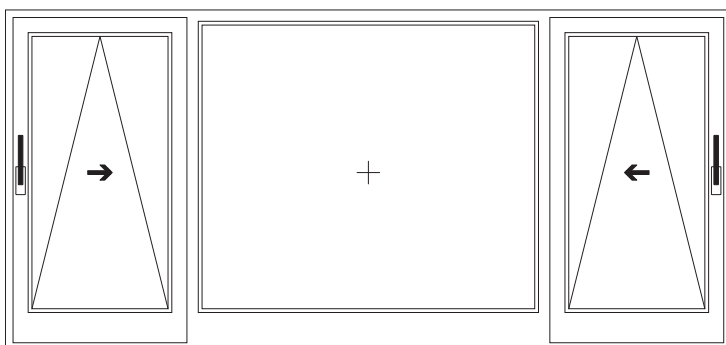
Scheme G – with mullion
1 parallel slide and tilt door, 2 fixed glazings
Drawing shows handle position lh



Scheme C – with mullion [1]
2 parallel slide and tilt doors, 2 side hung doors
Drawing shows first opening sash with handle position lh



Scheme G – with mullion [1]
1 parallel slide and tilt door, 2 side hung doors
Drawing shows handle position lh

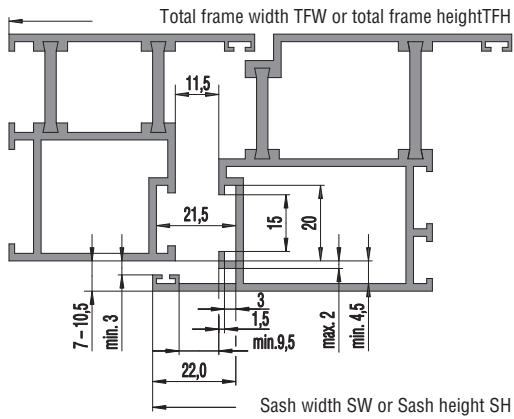


Scheme K – with mullion
2 parallel slide and tilt doors, 1 fixed glazing
Drawing shows handle position lh and handle position rh

Legend:

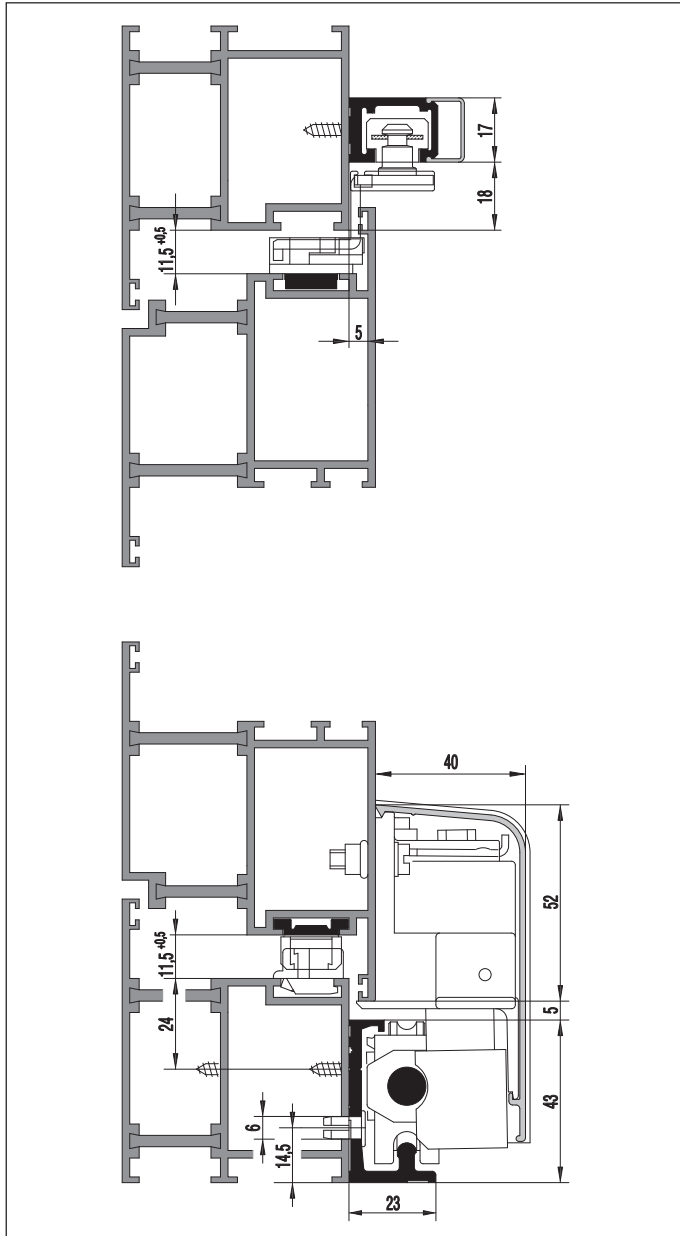
- [1] Schemes A, C and G with side hung sash:
Side hung sash fittings JET AK 8 with
handle DIRIGENT-F/SG 8-00694-33-0-7 and
rosette/F, inside – flat 6-24913-00-0-*,
locking plates according to profile.
- [2] Scheme D:
Side hung sash with rebate shoot bolt,
locking plates according to profile.

Assembly dimensions – frame and sash profile

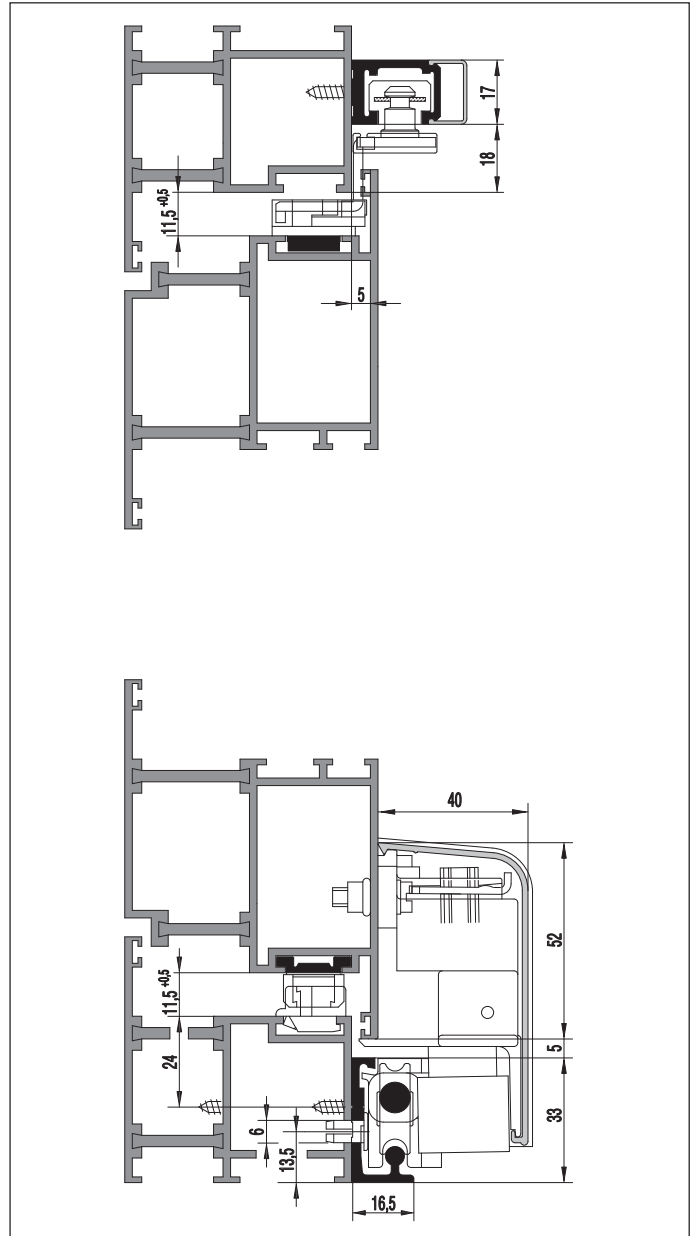


Frame and sash profile
Sash with Euro groove 15/20

Assembly dimensions – gliding rails, running rails, runners

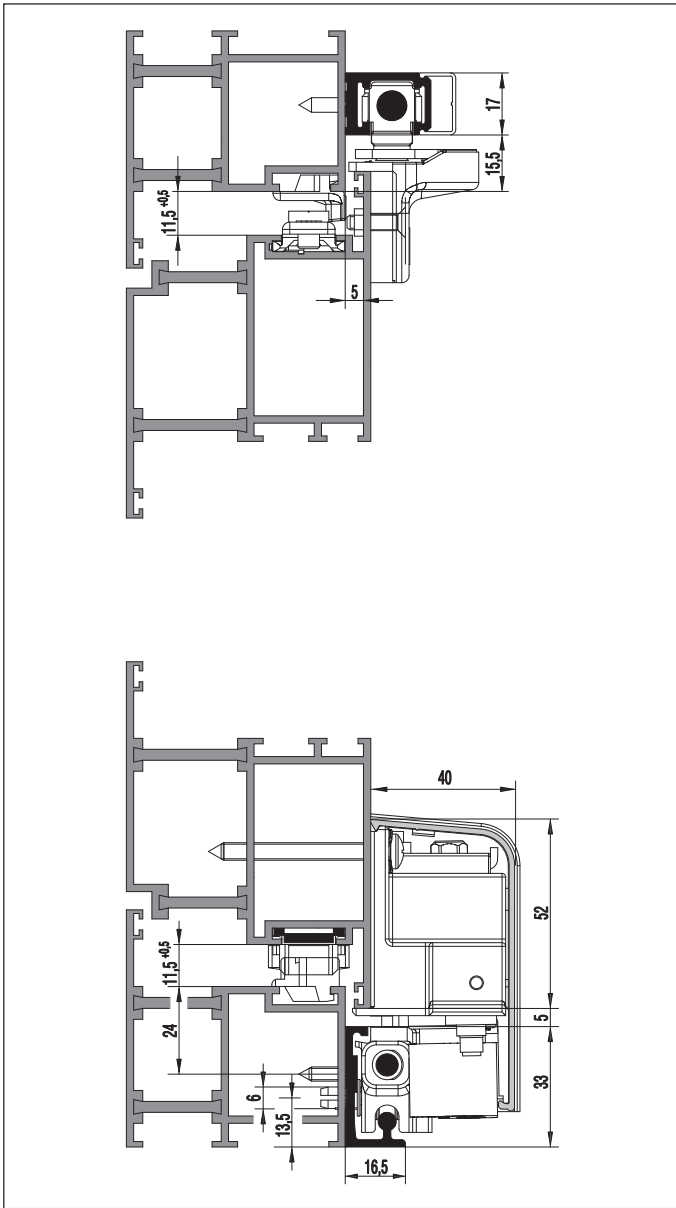


Parallel slide and tilt fittings G.U-968/200 mZ

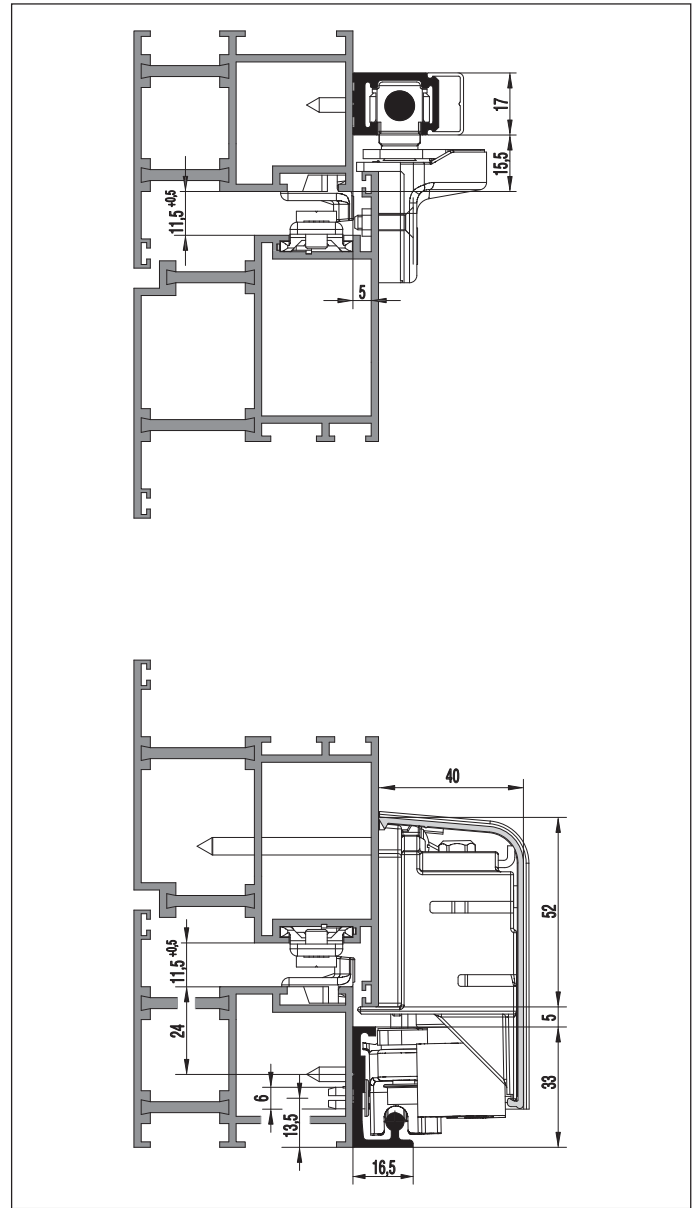


Parallel slide and tilt fittings G.U-968/150 mZ

Assembly dimensions – gliding rails, running rails, runners

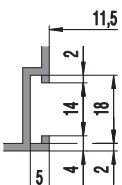
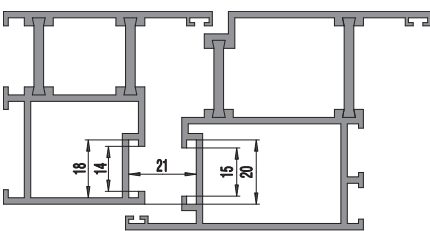


Parallel slide and tilt fittings G.U-968/150 oZ

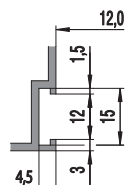
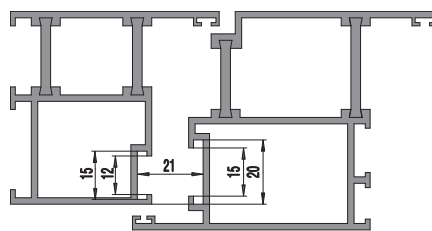


Parallel slide and tilt fittings G.U-90 oZ

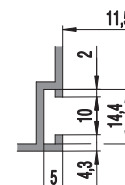
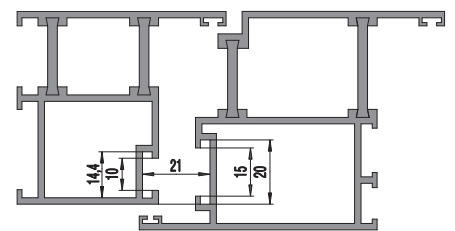
Assembly dimensions – frame grooves



Frame groove 14/18

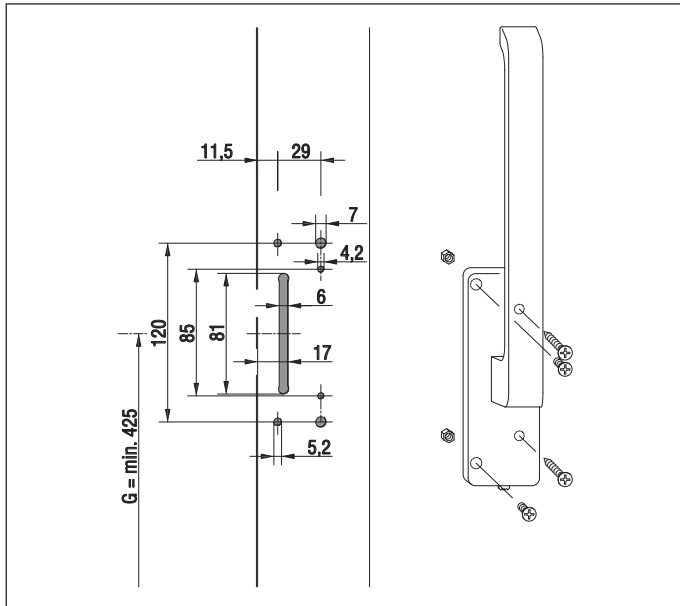


Frame groove 12/15

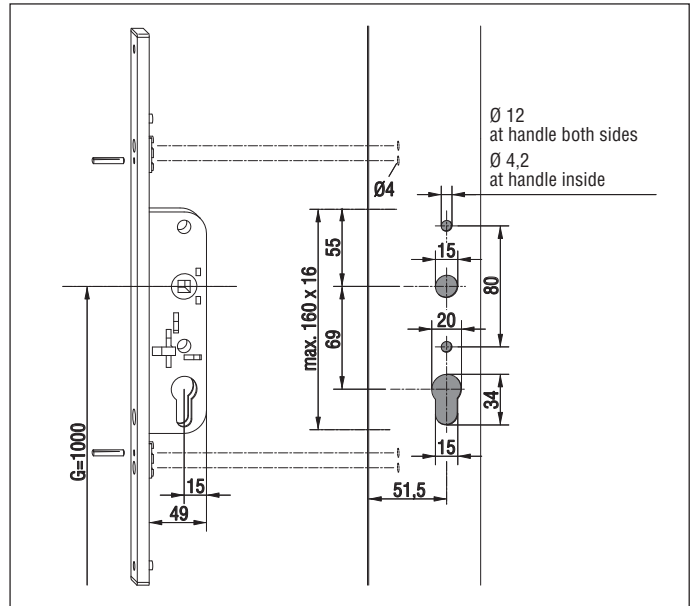


Frame groove 10/14

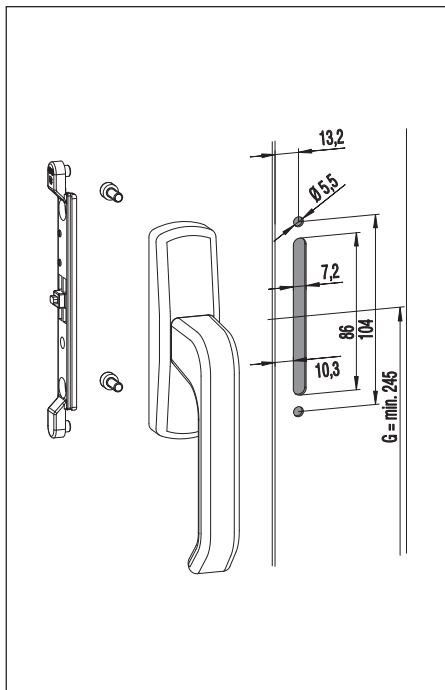
Drilling and milling dimensions geared handles and handles



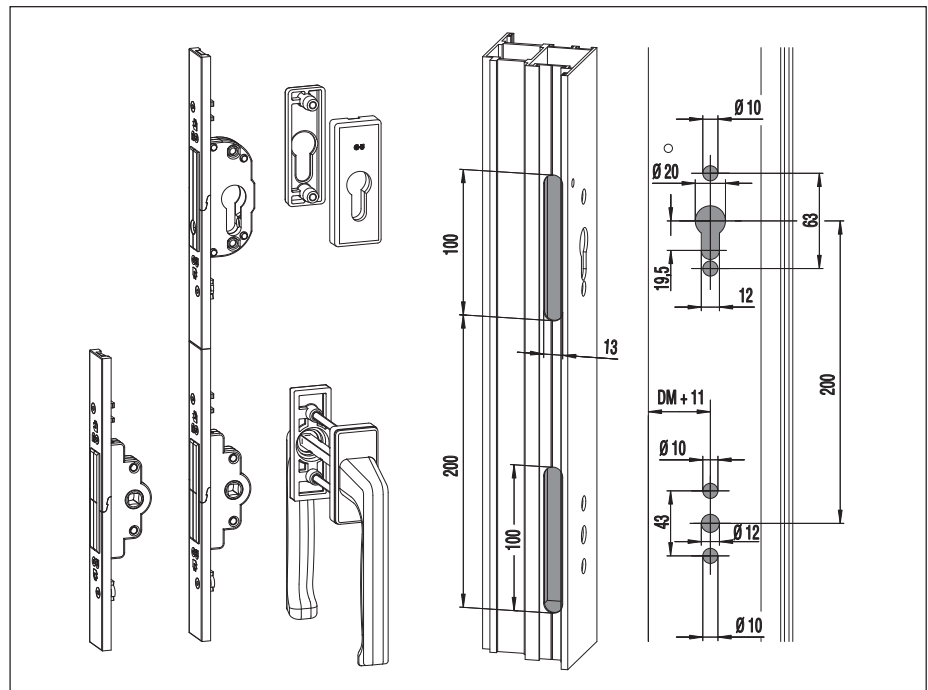
Drilling and milling dimensions for geared handle – Parallel slide and tilt locking mechanism G.U-mZ
Drilling jig 6-28894-00-0-0



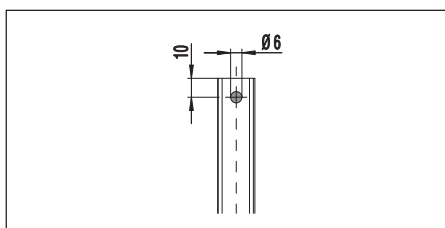
Drilling and milling dimensions for lockable gear – Parallel slide and tilt locking mechanism G.U-mZ
Drilling jig 9-27272-01-0-0



Drilling and milling dimensions for geared handle – Parallel slide and tilt locking mechanisms G.U-150 oZ and G.U-90 oZ
Drilling jig 6-25373-01-0-0

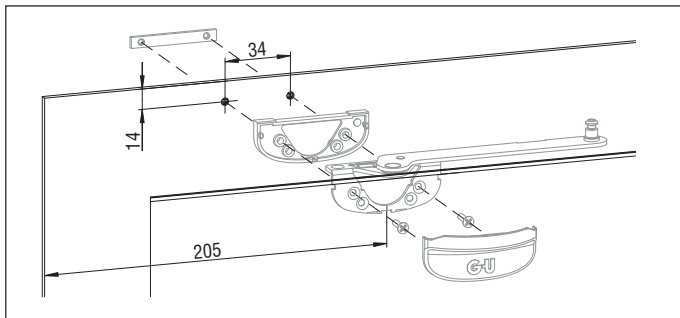


Drilling and milling dimensions for mill-in gear and lock with cylinder bore – Parallel slide and tilt locking mechanisms G.U-150 oZ and G.U-90 oZ
Drilling jig 6-26191-00-0-2

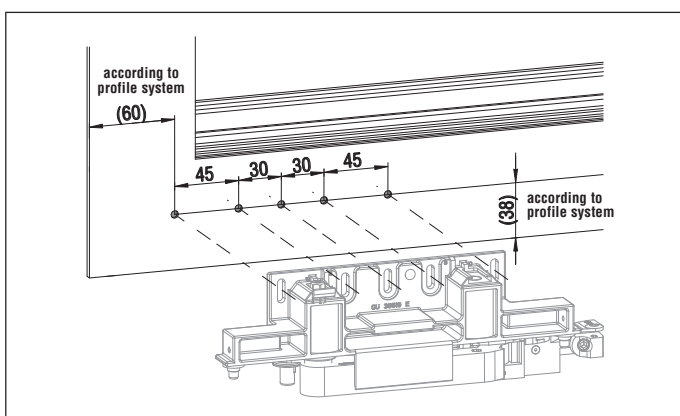


Push rod drill holes

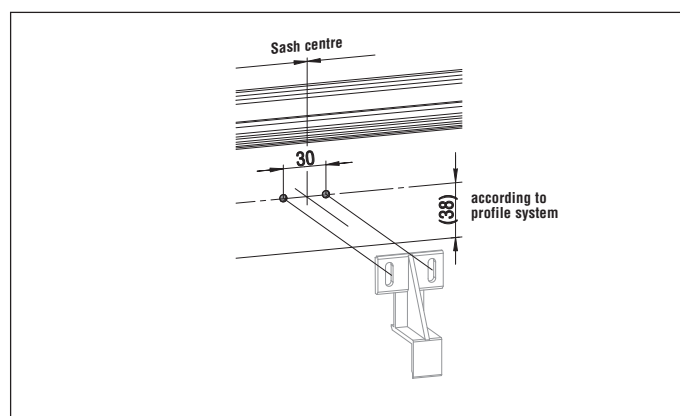
Drilling and milling dimensions for stays, runners and supports



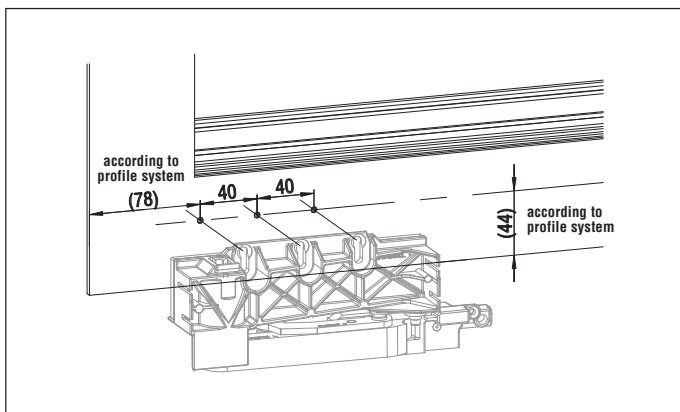
Drilling dimensions for stay –
Parallel slide and tilt locking mechanisms G.U-150 oZ and G.U-90 oZ



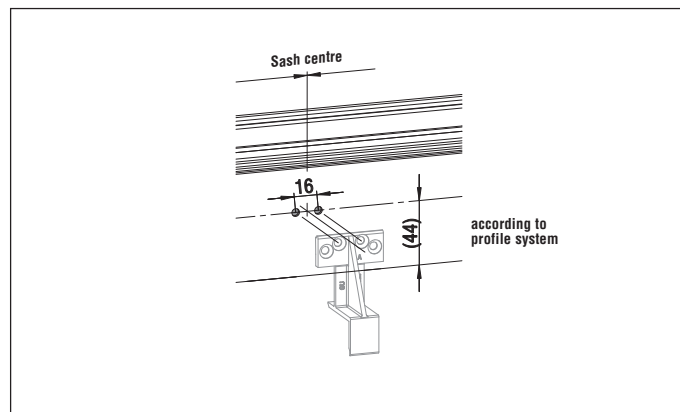
Drilling dimensions for runners –
Parallel slide and tilt locking mechanisms G.U-968/200 and G.U-968/150
Drilling jig 6-33342-00-0-0



Drilling dimensions for supports –
Parallel slide and tilt locking mechanisms G.U-968/200 and G.U-968/150
Drilling jig 6-33342-00-0-0



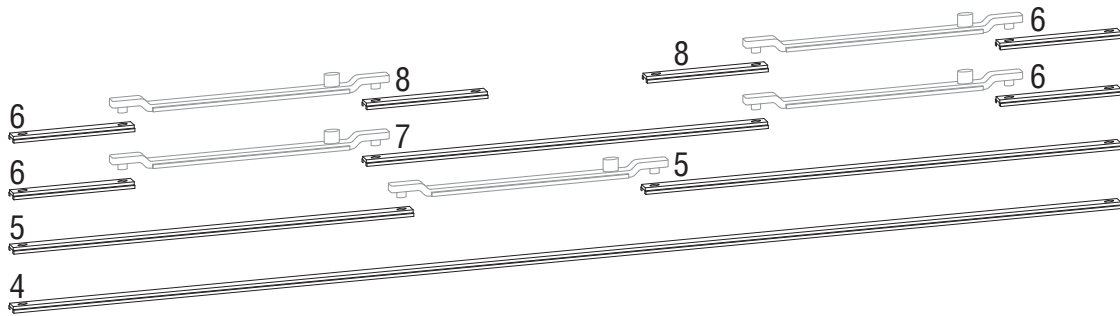
Drilling dimensions for runners –
Parallel slide and tilt locking mechanisms G.U-90
Drilling jig 9-30424-00-0-0



Drilling dimensions for supports –
Parallel slide and tilt locking mechanisms G.U-90
Drilling jig 9-30424-00-0-0

4

Quantity per sash and push rod cutting lengths with 22 mm sash overlap – G.U-968/200 mZ

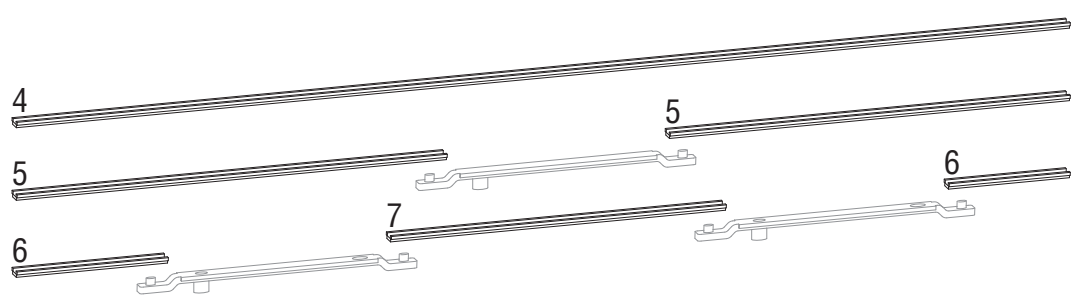
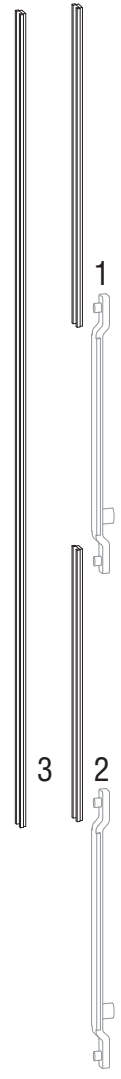
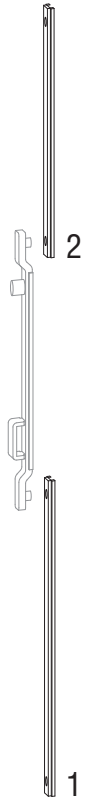


Push rods

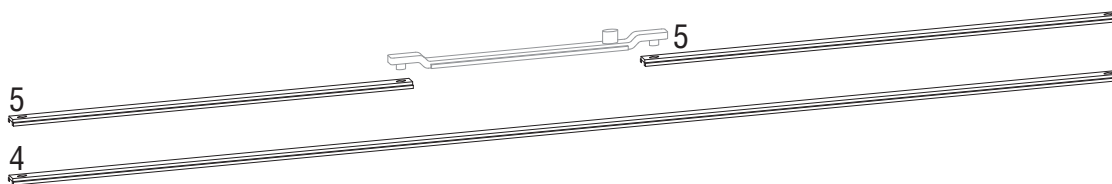
Quantity per sash and cutting lengths for G.U-968/200 mZ

No.	Sash height SH Computation formula	Sash width SW Quantity per sash				
		895 - 1200	740-1200	1201-1600	1601-1850	1851-2000
1	$L = G - 388$	1	1	1	1	1
2	$L = SH - G - 433$	1	1	1	1	1
3	$L = SH - 665$	1	1	1	1	1
4	$L = SW - 700$	2	-	-	-	-
5	$L = SW/2 - 428$	-	4	-	-	-
6	$L = 72$	-	-	4	4	4
7	$L = SW - 1156$	-	-	2	1	1
8	$L = SW/2 - 1502$	-	-	-	2	2

	1201 - 2400	740-1200	1201-1600	1601-1850	1851-2000
1	$L = G - 388$	2	2	2	2
2	$L = SH - G - 433$	2	2	2	2
4	$L = SW - 700$	2	-	-	-
5	$L = SW/2 - 428$	-	4	-	-
6	$L = 72$	-	-	4	4
7	$L = SW - 1156$	-	-	2	1
8	$L = SW/2 - 1502$	-	-	-	2



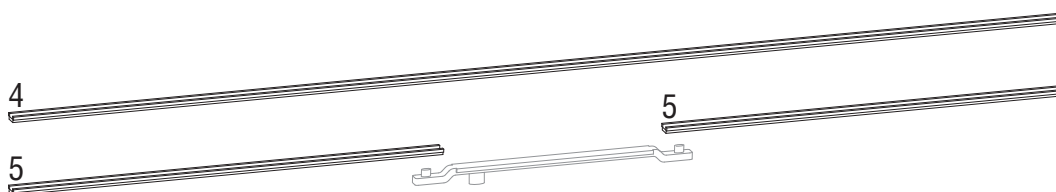
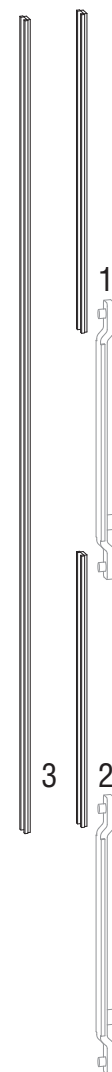
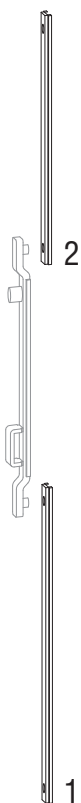
Quantity per sash and push rod cutting lengths with 22 mm sash overlap – G.U-968/150 mZ



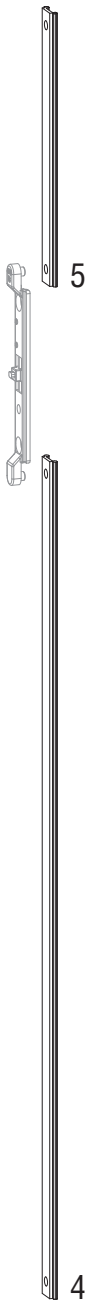
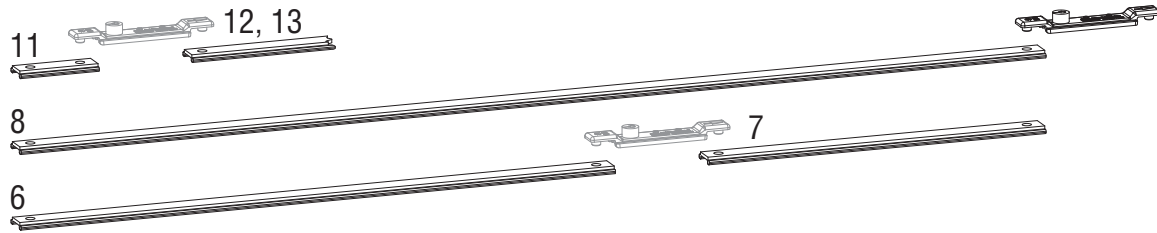
Push rods

Quantity per sash and cutting lengths for G.U-968/150 mZ

No.	Sash height SH Computation formula	Sash width SW Quantity per sash	
		740-1200	1201-1600
895 - 1200		740-1200	1201-1600
1	L = G - 388	1	1
2	L = SH - G - 433	1	1
3	L = SH - 665	1	1
4	L = SW - 700	2	-
5	L = SW/2 - 428	-	4
1201 - 2400		740-1200	1201-1600
1	L = G - 388	2	2
2	L = SH - G - 433	2	2
4	L = SW - 700	2	-
5	L = SW/2 - 428	-	4



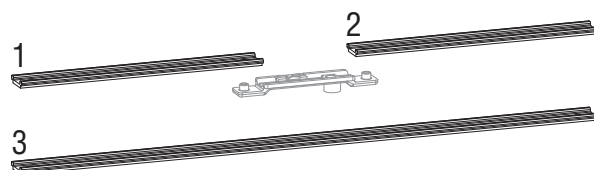
Quantity per sash and push rod cutting lengths with 22 mm sash overlap – G.U-968/150 oZ



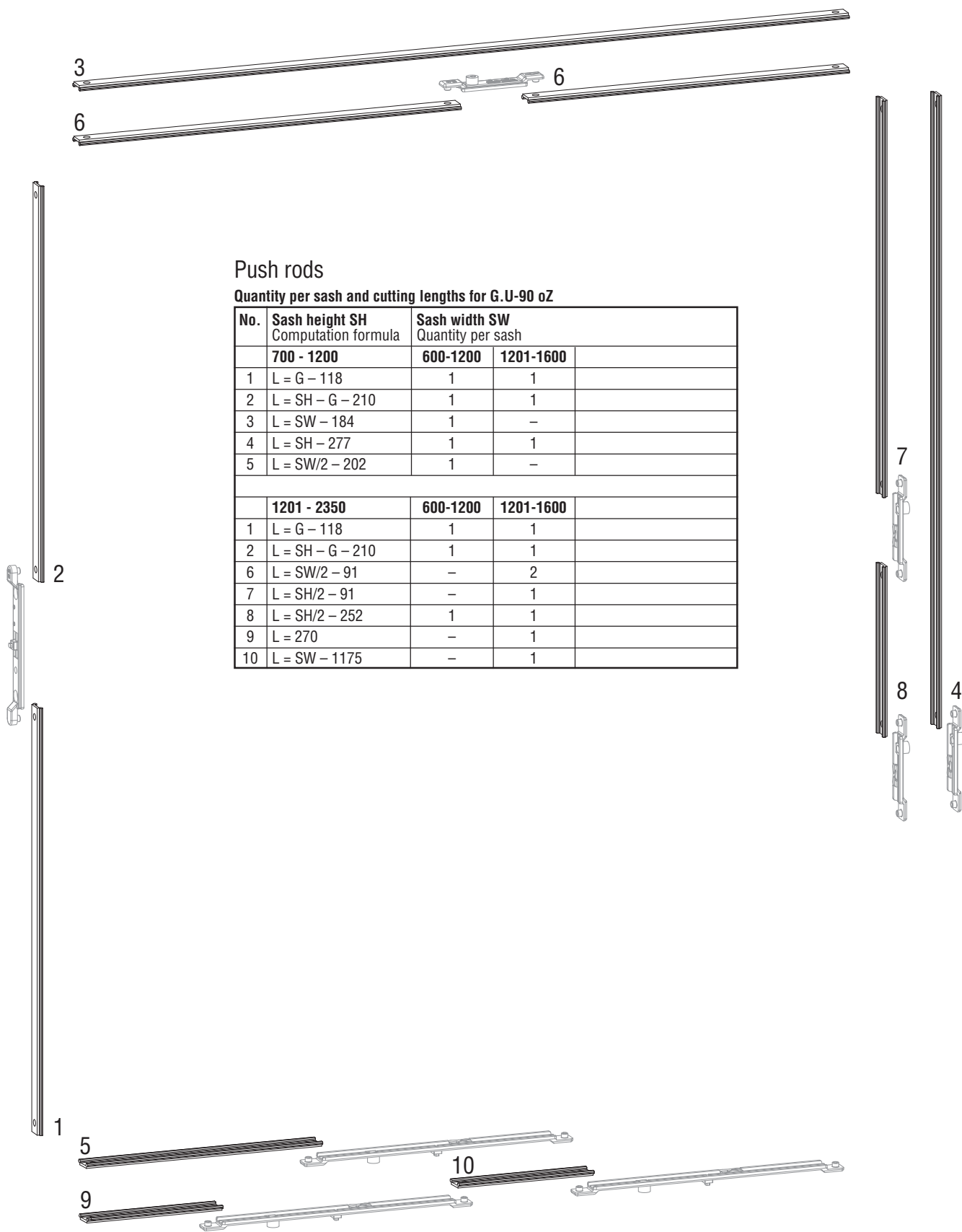
Push rods

Quantity per sash and cutting lengths for G.U-968/150 oZ

No.	Sash height SH Computation formula	Sash width SW Quantity per sash		
		600-1200	1201-1600	
	730 - 1200			
1	$L = SW/2 - 366$	–	1	
2	$L = SW/2 - 237$	–	1	
3	$L = SW - 536$	1	–	
4	$L = G - 115$	1	1	
5	$L = SH - G - 393$	1	1	
6	$L = SW/2 - 88$	–	1	
7	$L = SW/2 - 186$	–	1	
8	$L = SW - 207$	1	–	
11	$L = 55$	1	1	Scheme C
12	$L = SW/2 - 199$	–	1	Scheme C instead of 6
13	$L = SW - 318$	1	–	Scheme C instead of 8
	1201 - 2400			
1	$L = SW/2 - 366$	–	1	
2	$L = SW/2 - 237$	–	1	
3	$L = SW - 536$	1	–	
4	$L = G - 115$	1	1	
5	$L = SH - G - 393$	1	1	
6	$L = SW/2 - 88$	–	1	
7	$L = SW/2 - 186$	–	1	
8	$L = SW - 207$	1	–	
9	$L = SH/2 - 88$	1	1	
11	$L = 55$	1	1	Scheme C
12	$L = SW/2 - 199$	–	1	Scheme C instead of 6
13	$L = SW - 318$	1	–	Scheme C instead of 8



Quantity per sash and push rod cutting lengths with 22 mm sash overlap – G.U-90 oZ



Push rods

Quantity per sash and cutting lengths for G.U-90 oZ

No.	Sash height SH Computation formula	Sash width SW Quantity per sash	
		600-1200	1201-1600
700 - 1200		600-1200	1201-1600
1	L = G - 118	1	1
2	L = SH - G - 210	1	1
3	L = SW - 184	1	-
4	L = SH - 277	1	1
5	L = SW/2 - 202	1	-
1201 - 2350		600-1200	1201-1600
1	L = G - 118	1	1
2	L = SH - G - 210	1	1
6	L = SW/2 - 91	-	2
7	L = SH/2 - 91	-	1
8	L = SH/2 - 252	1	1
9	L = 270	-	1
10	L = SW - 1175	-	1

Geared handles and handles for windows and patio doors, accessories
Parallel slide and tilt locking mechanisms G.U-mZ

Geared handles DIRIGENT

1 geared handle
1 carrier
2 countersunk sheet metal screw 4,8x32
2 countersunk screw M 5 x 25
2 hex-nut M 5

Box of geared handle G.U-mZ DIRIGENT with anti-lockout device, handle length 240 mm lockable – keyed alike

Euro groove 15/20 handle pos. lh K-14712-00-L-*	Euro groove 15/20 handle pos. lh K-14711-00-L-*
handle pos. rh K-14712-00-R-*	handle pos. rh K-14711-00-R-*
Profile system Hartmann handle pos. lh K-15042-00-L-*	Profile system Hartmann handle pos. lh K-15043-00-L-*
handle pos. rh K-15042-00-R-*	handle pos. rh K-15043-00-R-*
Profile system Hueck handle pos. lh K-15046-00-L-*	Profile system Hueck handle pos. lh K-15047-00-L-*
handle pos. rh K-15046-00-R-*	handle pos. rh K-15047-00-R-*

Geared handles G.U-mZ for windows

1 geared handle
1 carrier
2 countersunk sheet metal screw 4,8x32
2 countersunk screw M 5 x 25
2 hex-nut M 5

Box of geared handle G.U-mZ DIRIGENT with anti-lockout device, handle length 180 mm lockable – keyed alike

Euro groove 15/20 handle pos. lh K-17460-00-L-*	Euro groove 15/20 handle pos. lh K-17459-00-L-*
handle pos. rh K-17460-00-R-*	handle pos. rh K-17459-00-R-*

Handle DIRIGENT inside

1 handle inside
2 positioning pin

Bag of handle inside G.U-mZ DIRIGENT with cylinder bore, without cams

6-24623-00-0-*

Handles DIRIGENT for operation from both sides

1 handle for operation from both sides
2 countersunk screw M 6 x 75

Bag of handle for operation from both sides G.U-mZ, projection 15 mm DIRIGENT with cylinder bore and cams

K-13167-00-0-*

1 handle for operation from both sides
2 countersunk screw M 6 x 75

Bag of handle for operation from both sides G.U-mZ, projection 30 mm DIRIGENT with cylinder bore and cams

K-12919-00-0-*

Countersunk screw DIN 965 for operation from both sides

ST

-60 mm M 6 x 75	9-13274-75-0-1
61-65 mm M 6 x 80	9-13274-80-0-1
66-70 mm M 6 x 85	9-13274-85-0-1
71-78 mm M 6 x 90	9-13274-90-0-1

Parallel slide and tilt fittings G.U-966/200 mZ Tandem runner for sashes with heavy glazing

Box of runners G.U-968/200 T for aluminium windows

Handle pos. lh	K-15509-00-L-0	PU 1
Handle pos. rh	K-15509-00-R-0	PU 1

Inhalt:
 1 runner G.U-968/200 T, front
 1 runner G.U-968/200 T, rear
 2 rods, Ø 10 mm

Parallel slide and tilt fittings G.U-968/200 mZ Box of middle stay G.U-mZ for sash rebate widths 1851 to 2000 mm

Middle stay G.U-mZ with stay arm glider and cover

Fitting requirements standard version

Middle stay G.U-mZ		
Handle pos. lh	6-29349-02-L-8	
Handle pos. rh	6-29349-02-R-8	
Stay arm glider	6-22755-00-0-0	
Cover for middle stay	9-35573-00-0-*	

Fitting requirements profile system Hartmann

Middle stay G.U-mZ		
Handle pos. lh	6-29349-04-L-8	
Handle pos. rh	6-29349-04-R-8	
Stay arm glider	6-22755-00-0-0	
Cover for middle stay	9-35573-00-0-*	

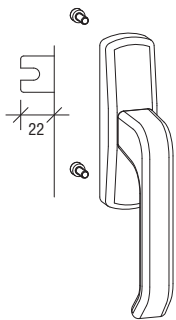
Fitting requirements profile system Hueck

Middle stay G.U-mZ		
Handle pos. lh	6-29349-03-L-8	
Handle pos. rh	6-29349-03-R-8	
Stay arm glider	6-22755-00-0-0	
Cover for middle stay	9-35573-00-0-*	

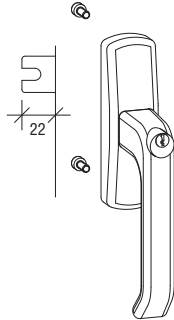
Parallel slide and tilt locking mechanisms G.U-mZ

Stop P 1225
6-30388-00-0-6

Geared handles SPACIO aluminium, painted – 1 carrier fork 22 mm

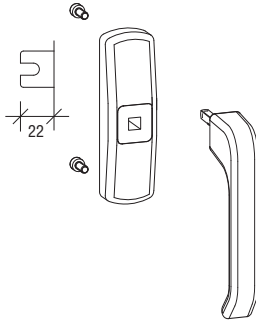


Bag of geared handle
SPACIO – not lockable
2 screws
G-46551-96-0-*



Bag of geared handle
SPACIO – lockable
2 screws, 2 keys
G-46553-96-0-*

Bag of geared handle
SPACIO – lockable
for first tilt fittings
2 screws, 2 keys
G-46557-96-0-*



Bag of
geared rosette SPACIO
2 screws
G-46555-96-0-*

Removable handle SPACIO
G-18888-00-0-*

Geared handles ADAGIO-A powder coated



Geared handle
ADAGIO-A – not lockable
6-31723-00-0-*

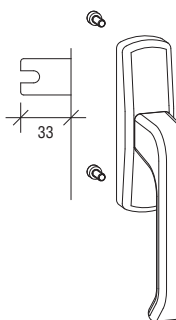


Geared handle
ADAGIO-A – lockable
2 keys
6-31724-00-0-*

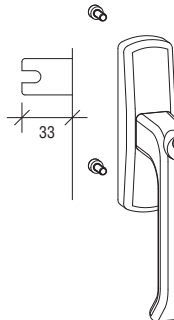


Clip – neutral
9-41505-00-0-*

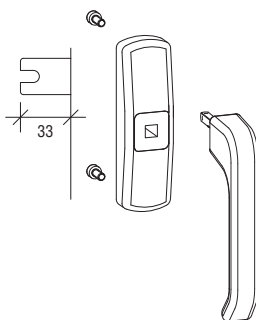
Geared handles SPACIO aluminium, painted – 1 carrier fork 33 mm



Bag of geared handle
SPACIO – not lockable
2 screws
G-46595-96-0-*



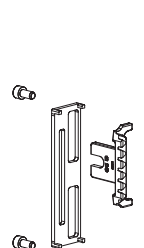
Bag of geared handle
SPACIO – lockable
2 screws, 2 keys
G-46597-96-0-*



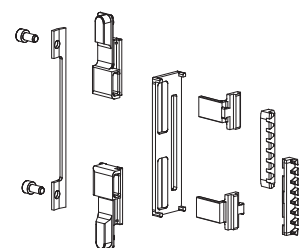
Bag of
geared rosette SPACIO
2 screws
G-46596-96-0-*

Removable handle SPACIO
G-18888-00-0-*

Accessories for ADAGIO-A

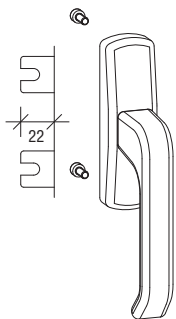


Bag of accessories
for 1 carrier fork
22 mm
K-15814-00-0-1

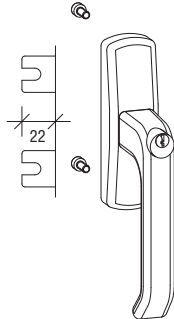


Bag of accessories
for 2 carrier forks
22 mm
K-15815-00-0-1

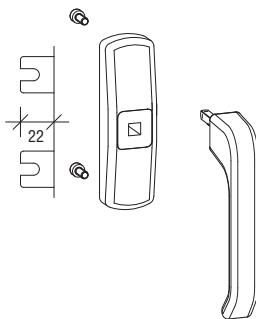
Geared handles SPACIO aluminium, painted – 2 carrier forks 22 mm – DIN right hand



Bag of geared handle
SPACIO – not lockable
2 screws
G-46552-96-R-*



Bag of geared handle
SPACIO – lockable
2 screws, 2 keys
G-46554-96-R-*



Bag of
geared rosette SPACIO
2 screws
G-46556-96-R-*

Removable handle SPACIO
G-18888-00-0-*

Accessories for side hung sashes with geared handle SPACIO



90° limiter
for aluminium rosettes
9-34612-00-0-0

Accessories for geared handles SPACIO and ADAGIO-A



Fixing plate –
single
hole centre distance 104 mm
9-41506-00-0-8

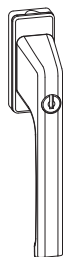


Bag of accessories
Conversion of SPACIO
handles to DIN left hand
G-46550-00-L-1

Handles DIRIGENT-F for mill-in gears



DIRIGENT-F
Spindle 25 6-28072-25-0-*
Spindle 29 6-28072-29-0-*



DIRIGENT-F/Z
with push button cylinder,
all keys alike
Spindle 29 6-28075-29-0-*

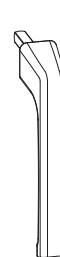


DIRIGENT-F
with anti-lockout device
Spindle 29 6-25384-00-0-*



Tested to
RAL-RG 607/9

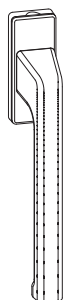
ADAGIO-F/Z RAL
for security windows and
patio doors
Spindle 29 6-29623-29-0-*



DIRIGENT-F/SG
with anti-lockout device
Spindle 33 8-00694-33-0-7



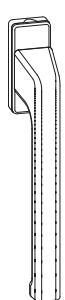
Rosette/F inside – flat
6-24913-00-0-*



DIRIGENT-HL
elongated
Rosette 32 x 81 mm
Spindle 25 6-31382-25-0-*
Spindle 29 6-31382-29-0-*



DIRIGENT-HL
elongated
Rosette 32 x 81 mm
push button cylinder
Spindle 30 6-31383-30-0-*



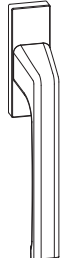
DIRIGENT-HL
elongated
Rosette 28 x 67 mm
Spindle 33 6-32629-33-0-*



DIRIGENT-F
inside – without spindle
6-28072-00-0-*



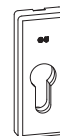
DIRIGENT-F/AF,
outside – flat
6-25223-00-0-*



DIRIGENT-F/A,
outside
6-25993-00-0-*



Spindle
ST 56-68 9-26874-56-0-1
ST 69-80 9-26874-69-0-1



Rosette PZ
inside
6-25224-02-0-*



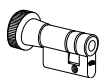
Rosette PZ/A
outside
9-32407-02-0-*



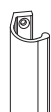
Inside/ outside operation
Countersunk screw M 5
ST 50-54 9-13255-60-0-1
ST 55-59 9-13255-65-0-1
ST 60-64 9-13255-70-0-1
ST 65-69 9-13255-75-0-1
ST 70-74 9-13255-80-0-1
ST 75-80 9-13255-85-0-1



Inside operation
Countersunk screw M 5
Spindle 25 9-13255-30-0-1
Spindle 29 9-13255-35-0-1



Knob lock
Backset 25 - 50 mm
K-13282-00-0-*



Pull handle outside
9-22921-00-0-*

Mill-in gears



Mill-in gear 180°
Backset 14 mm
6-31280-00-0-1



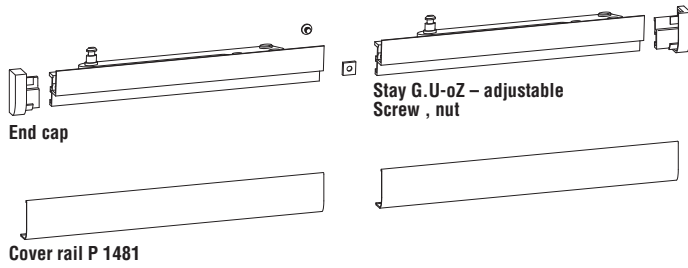
Mill-in gear 180°
6-25916-**-0-1



Lock
with cylinder bore
6-25918-**-0-1

** = Backset
25, 30, 35, 40, 45, 50 mm

Stay G.U-oZ – adjustable



Fitting requirements according to size of sashes for schemes A to K

Quantity		Description	PU	Article No.
A	C D G K			
1	2 1 1 2	Stay G.U-oZ – adjustable SRW		
		600- 850	1	6-26274-05-0-1
		851-1100	1	6-26274-08-0-1
		1101-1350	1	6-26274-10-0-1
		1351-1600	1	6-26274-13-0-1
1	2 1 1 2	Bag of Screws	1	K-13068-00-0-1
1	2 1 1 2	Cover rail P 1481 [1] SRW		
		Length		
		600- 850	1	9-34520-08-0-*
		851-1100	1	9-34520-11-0-*
		1101-1350	1	9-34520-13-0-*
		1351-1600	1	9-34520-16-0-*
		Lagerlänge	1	9-34520-50-0-*
1	2 1 1 2	End cap [1]		
		links	1	9-34517-00-L-*
		rechts	1	9-34517-00-R-*

[1] * = Colour: 1 = EV 1, 5 = UC 5, 7 = white (RAL 9016)

Working drawing
G.U-968/150 oZ 0-43981

Positioning and locking plates according to frame groove – Euro groove 15/20

Description	Gasket pressure	Illustration	Frame groove	12/15	10/14
			14/18		
Locking plate Frame profiles clampable	standard + 0,7 mm		 6-30959-00-0-1 6-30959-01-0-1	 6-30959-00-0-1 6-30959-01-0-1	 6-30959-00-0-1 6-30959-01-0-1
Locking plate Frame profiles clampable	adjustable		G-11071-00-0-1	G-11800-00-0-1	G-11065-00-0-1
Positioning plate Frame profiles			6-25587-03-0-1	6-25587-02-0-1	6-25587-01-0-1

Positioning and locking plates according to profile system – G.U-968/200 mZ

Profile systems Aluminium	Sash profile	Frame profile	Mullion profile	Working drawing G.U-968/200 mZ	Positioning plate	Locking plate	Wrong operation safety device (WOSD)
Akotherm AT 730	2551	2502		0-43712-4	6-25587-02-0-1	6-28734-12-0-1	K-17192-02-0-1
Alcoa RT 67/RT 72	770 145/-146	770 006/-090			6-25587-01-0-1	6-28734-10-0-1	K-17192-01-0-1
Aliplast Imperial	IP023	IP012			6-25587-03-0-1	6-28734-14-0-1	K-17192-02-0-1
Aliplast Visoline	VL 21	VL 18	VL 26		6-25587-03-0-1	6-28734-14-0-1	K-17192-02-0-1
Graute-Therm 80					6-25587-01-0-1	6-28734-10-0-1	K-17192-02-0-1
Hartmann Systherm 72E				0-43827-2	9-29990-05-0-1	9-30146-05-0-1	
Heroal Serie 065	9302	9324			6-25587-01-0-1	6-28734-10-0-1	K-17192-02-0-1
Hueck 1.0					6-25071-00-0-1		K-17192-03-0-1
Klauke	78145	78010		0-43770-4	6-25587-03-0-1	G-15059-00-0-1	K-17192-02-0-1
Reynaers					6-25587-03-0-1	6-28734-14-0-1	
Sykon Sykotherm 64	6332	6329	6331		6-25587-01-0-1	6-28734-10-0-1	K-17192-02-0-1

Positioning and locking plates according to profile system – G.U-968/150 oZ, G.U-90 oZ

Profile systems Aluminium	Sash profile	Frame profile	Mullion profile	False mullion profile	Working drawing G.U-968/150 oZ	Positioning plate	Locking plate adjustable clampable	Locking plate fix clampable
Alcan Serie Contact	4002 D	4002 D	4029 F		F-41949-1	6-25587-02-0-1	G-11800-00-0-1	6-30959-00-0-1
Alcoa RT 620	717 833	717 833	717 845			9-29990-23-0-1		
Alisoi 3	V 63215	V 63215	V 63207		0-41081-2	6-25587-03-0-1	G-11071-00-0-1	6-30959-00-0-1
Alsec 2000-Serie 59	46960-85	46960-85	52533-73		0-42657-2	6-25587-03-0-1	G-11071-00-0-1	6-30959-00-0-1
Alu A.M.C. GN 50	50/230	50/230				6-25587-03-0-1	G-11071-00-0-1	6-30959-00-0-1
Bug 90	831 614	831 614			0-42236-2	6-25587-01-0-1	G-11065-00-0-1	6-30959-00-0-1
Egybel	901 010	901 010	901 042	901 080		6-25587-03-0-1	G-11071-00-0-1	6-30959-00-0-1
EurAl Serie 65	161 100	161 100				6-25587-03-0-1	G-11071-00-0-1	6-30959-00-0-1
Forster (Stahl)	505.665	505.665			0-41041-1	9-30163-18-0-1		9-30147-00-0-1
Hueck 2.1	556 103	556 103				6-25071-00-0-1		
Metra Serie 65	165 130	165 130				6-25587-06-0-1		6-28734-13-0-1
MKF TKI 602	602-01-015	602-01-015	602-03-002			6-25071-00-0-1		
Pechiney	N 113311	N 113311	N 113320	N 113352	0-42763-1	6-25587-01-0-1	G-15067-00-0-1	6-30959-00-0-1
Pesalu	4201041	4201041			0-42691-2			
Philippi 2000						6-25597-03-0-1	G-15059-00-0-1	
Reynaers						6-25587-03-0-1	G-11071-00-0-1	6-30959-00-0-1
SAPA-Ekonal i70	42003	42003	42531		0-41062-1	6-25587-02-0-1	G-11800-00-0-1	6-30959-00-0-1
Schüco Royal 64w	104 610	104 610	104 620		0-42562-1	9-29990-03-0-1		9-30146-03-0-1
Schüco Royal S 65/ S 55	166 030	166 030	166 070		0-43290-1	9-29990-32-0-1		9-30146-03-0-1
Sidal nc 60 S	863	863	878		0-41777-4	6-25587-02-0-1	G-11800-00-0-1	6-30959-00-0-1
SMS Serie 46000	46493	46493	46511			6-25587-01-0-1	G-11065-00-0-1	6-30959-00-0-1
Systemes (F)					0-42578-4	6-25587-03-0-1	G-15095-00-0-1	6-30959-00-0-1
Wernal System 6000					0-40937-4	6-25587-03-0-1	G-11071-00-0-1	6-30959-00-0-1



Doors and windows with geared handle inside for sash profiles with euro groove 15/20 mm

Stop for P 1225

Locking pin element
Locking plate

Stay front, lh
6-29656-02-L-8
Stay front, rh
6-29656-02-R-8

Stay rear, lh
6-29657-02-L-8
Stay rear, rh
6-29657-02-R-8

Fitting requirements according to size of sashes for schemes A to K

Quantity						Description	PU	Article No.	
A	C	D	G	K	Handle pos. lh			Handle pos. rh	
1	2*	1	1	2*	Box of stays G.U-mZ [2]	1	K-14713-00-L-8	K-14713-00-R-8	
1	2*	1	1	2*	Middle stay G.U-mZ [3]	1	6-29349-02-L-8	6-29349-02-R-8	
1	2	1	1	2	Stay arm glider for middle stay	1	6-22755-00-0-0		
1	2	1	1	2	Cover for middle stay [1] SW [4]	1	9-35573-00-0-*		
1851-2000									
1	2*	1	1	2*	Box of geared handle G.U-mZ [1] DIRIGENT with anti-lockout device	1	K-14712-00-L-*	K-14712-00-R-*	
Locking pin element						20	6-27866-02-0-0		
SW [4]						SH	SW (C) [4]	SH (C)	
1	2	1	1	2	740-1200	895-1200	840-1500	895-1200	
2	4	2	2	4		1201-2400		1201-2400	
3		3	3	6	1201-1600	895-1200			
4		4	4	8		1201-2400			
5	6	5	5	10	1601-1850	895-1200	1501-1850	895-1200	
6	8	6	6	12		1201-2400		1201-2400	
7	10	7	7	14	1851-2000	895-1200	1851-2000	895-1200	
8	12	8	8	16		1201-2400		1201-2400	
4						Locking pin element C	20	6-27872-02-0-0	
2	4	2	2	4	Positioning plate				
Frame groove 10/14						20	6-25587-01-0-1		
Frame groove 12/15						20	6-25587-02-0-1		
Frame groove 14/18						20	6-25587-03-0-1		
Locking plate						100	6-30959-00-0-1		
alternatively for + 0,7 mm gasket pressure									
Locking plate						100	6-30959-01-0-1		
SW [4]						SH	SW (C) [4]	SH (C)	
5	12	5	5	10	740-1200	895-1200	840-1500	895-1200	
7	15	7	7	14		1201-2400		1201-2400	
7		7	7	14	1201-1600	895-1200			
9		9	9	18		1201-2400			
9	16	9	9	18	1601-1850	895-1200	1501-1850	895-1200	
11	19	11	11	22		1201-2400		1201-2400	
11	18	11	11	22	1851-2000	895-1200	1851-2000	895-1200	
13	21	13	13	26		1201-2400		1201-2400	
Optional parts:									
Stop for gliding rail P 1225						1	6-30388-00-0-6		

- [1] * = Colour: 1 = EV 1, 5 = UC 5, 7 = white (RAL 9016)
 [2] * = 1 box for handle pos. lh, 1 box for handle pos. rh
 [3] For sash widths SW 1851-2000 mm, an additional middle stay arm is required.
 [4] Max. sash width SW at G.U-968/150 mZ = 1600 mm

Working drawings
 G.U-968/200 mZ 0-43855
 G.U-968/150 mZ 0-43905
 G.U-968/200 mZ and G.U-968/150 mZ Scheme C 0-43861

DIRIGENT
 lh 6-28828-00-L-* [1]
 rh 6-28828-00-R-* [1]
Hex-nuts
 9-13214-00-0-0
Countersunk screws
 9-13133-25-0-0
Countersunk sheet metal screws
 9-13089-09-0-0

Carrier
 6-27862-02-0-0

Cover
 9-32227-01-0-1
Spring element
 6-28447-02-0-0
Corner transmission
 6-28452-02-0-8

Positioning plate
acc. to frame groove

Locking pin element
Locking plate

Positioning plate
acc. to frame groove

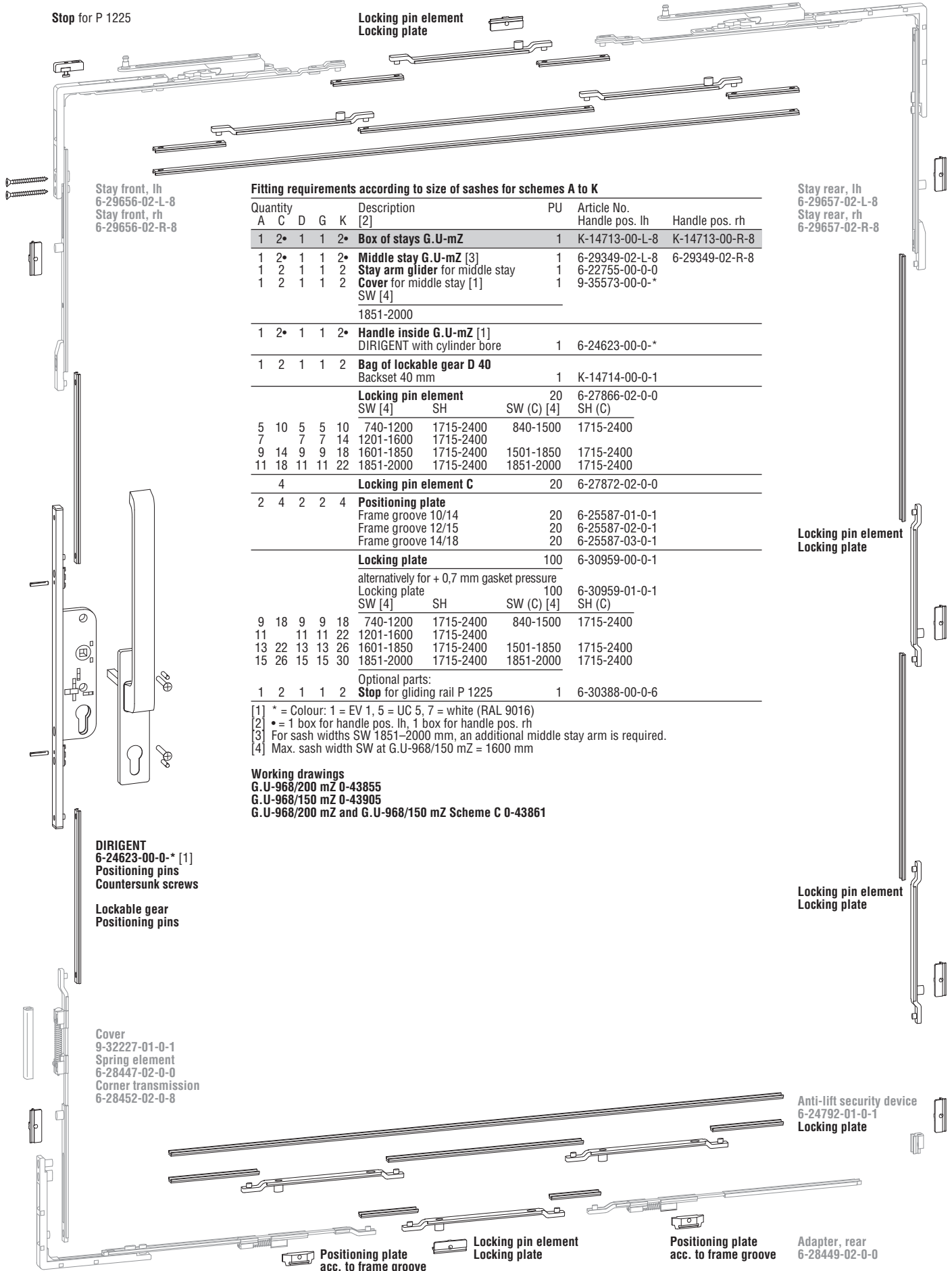
Adapter, rear
6-28449-02-0-0

Locking pin element
Locking plate

Locking pin element
Locking plate

Anti-lift security device
6-24792-01-0-1
Locking plate

Doors and windows with lockable gear, for sash profiles with euro groove 15/20 mm



Stop for P 1225

Stay front, lh
6-29656-02-L-8
Stay front, rh
6-29656-02-R-8

Locking pin element
Locking plate

Stay rear, lh
6-29657-02-L-8
Stay rear, rh
6-29657-02-R-8

Fitting requirements according to size of sashes for schemes A to K

Quantity		Description				PU	Article No.	
A	C	D	G	K			Handle pos. lh	Handle pos. rh
1	2*	1	1	2*	Box of stays G.U-mZ	1	K-14713-00-L-8	K-14713-00-R-8
1	2*	1	1	2*	Middle stay G.U-mZ [3]	1	6-29349-02-L-8	6-29349-02-R-8
1	2	1	1	2	Stay arm glider for middle stay	1	6-22755-00-0-0	
1	2	1	1	2	Cover for middle stay [1] SW [4]	1	9-35573-00-0-*	
1851-2000								
1	2*	1	1	2*	Handle inside G.U-mZ [1] DIRIGENT with cylinder bore	1	6-24623-00-0-*	
1	2	1	1	2	Bag of lockable gear D 40 Backset 40 mm	1	K-14714-00-0-1	
Locking pin element						20	6-27866-02-0-0	
SW [4]						SH	SW (C) [4]	
SH						SH (C)	SH (C)	
5	10	5	5	10	740-1200	1715-2400	840-1500	1715-2400
7	7	7	7	14	1201-1600	1715-2400		
9	14	9	9	18	1601-1850	1715-2400	1501-1850	1715-2400
11	18	11	11	22	1851-2000	1715-2400	1851-2000	1715-2400
Locking pin element C						20	6-27872-02-0-0	
2	4	2	2	4	Positioning plate	20	6-25587-01-0-1	
Frame groove 10/14						20	6-25587-02-0-1	
Frame groove 12/15						20	6-25587-03-0-1	
Frame groove 14/18						100	6-30959-00-0-1	
Locking plate						100	6-30959-01-0-1	
alternatively for + 0,7 mm gasket pressure						100	6-30959-01-0-1	
Locking plate						SH	SW (C) [4]	
SW [4]						SH	SH (C)	
9	18	9	9	18	740-1200	1715-2400	840-1500	1715-2400
11	11	11	11	22	1201-1600	1715-2400		
13	22	13	13	26	1601-1850	1715-2400	1501-1850	1715-2400
15	26	15	15	30	1851-2000	1715-2400	1851-2000	1715-2400
Optional parts:								
1	2	1	1	2	Stop for gliding rail P 1225	1	6-30388-00-0-6	

- [1] * = Colour: 1 = EV 1, 5 = UC 5, 7 = white (RAL 9016)
- [2] * = 1 box for handle pos. lh, 1 box for handle pos. rh
- [3] For sash widths SW 1851-2000 mm, an additional middle stay arm is required.
- [4] Max. sash width SW at G.U-968/150 mZ = 1600 mm

Working drawings
 G.U-968/200 mZ 0-43855
 G.U-968/150 mZ 0-43905
 G.U-968/200 mZ and G.U-968/150 mZ Scheme C 0-43861

DIRIGENT
6-24623-00-0-* [1]
Positioning pins
Countersunk screws

Lockable gear
Positioning pins

Cover
9-32227-01-0-1
Spring element
6-28447-02-0-0
Corner transmission
6-28452-02-0-8

Locking pin element
Locking plate

Locking pin element
Locking plate

Anti-lift security device
6-24792-01-0-1
Locking plate

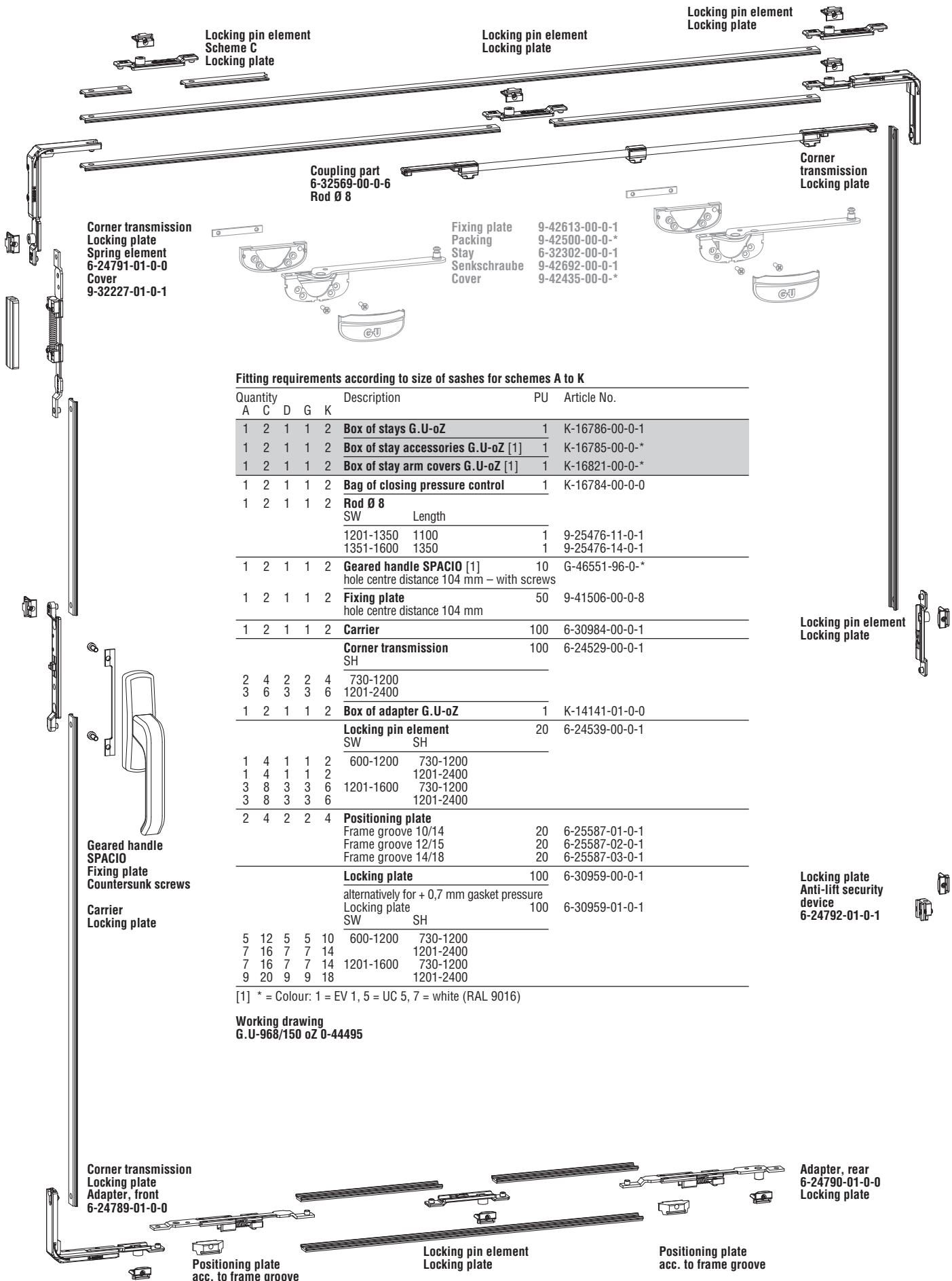
Positioning plate
acc. to frame groove

Locking pin element
Locking plate

Positioning plate
acc. to frame groove

Adapter, rear
6-28449-02-0-0

Doors and windows with geared handle inside for sash profiles with euro groove 15/20 mm



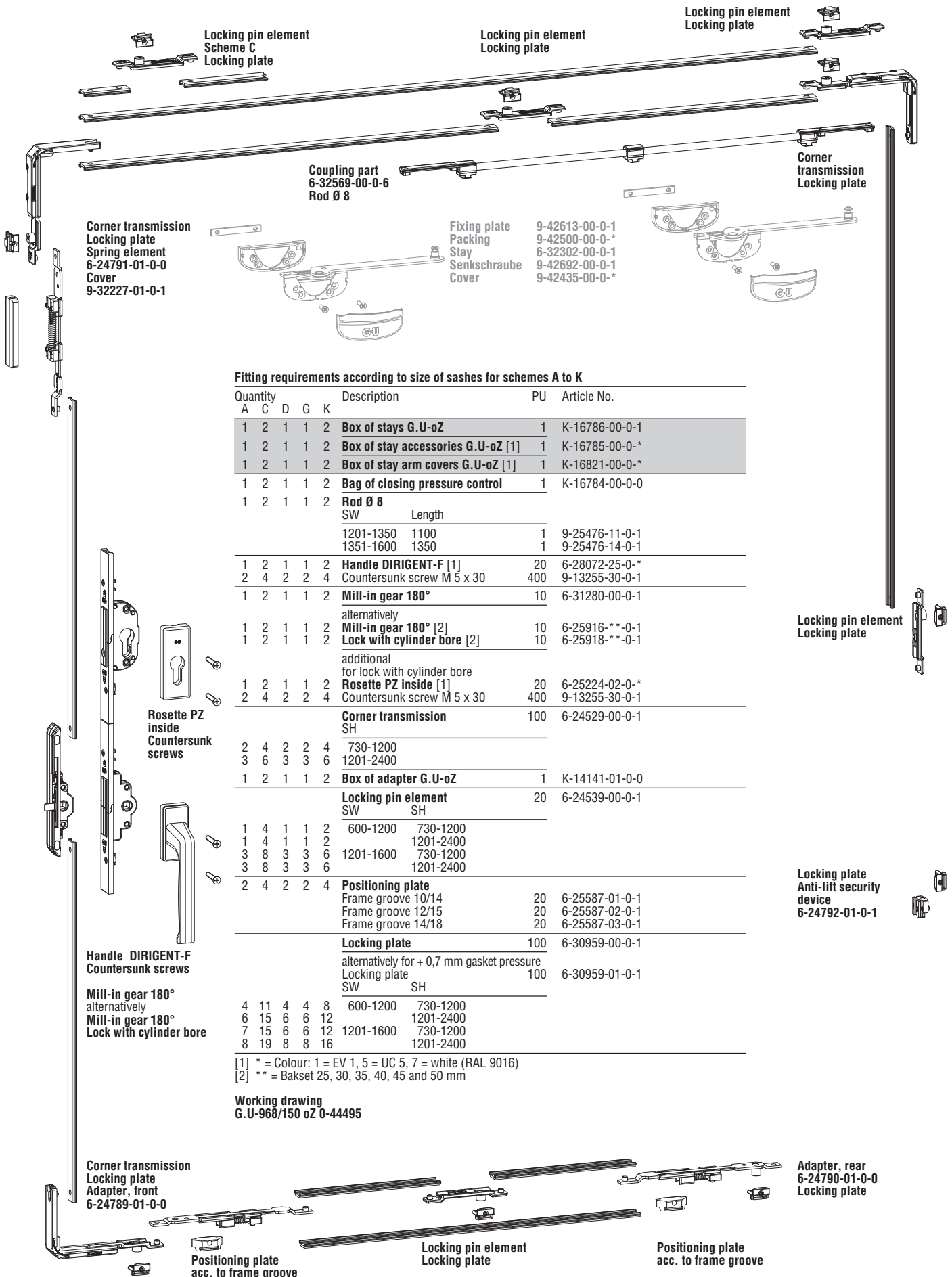
Fitting requirements according to size of sashes for schemes A to K

Quantity	Description					PU	Article No.
A	C	D	G	K			
1	2	1	1	2	Box of stays G.U-oZ	1	K-16786-00-0-1
1	2	1	1	2	Box of stay accessories G.U-oZ [1]	1	K-16785-00-0-*
1	2	1	1	2	Box of stay arm covers G.U-oZ [1]	1	K-16821-00-0-*
1	2	1	1	2	Bag of closing pressure control	1	K-16784-00-0-0
1	2	1	1	2	Rod Ø 8		
					SW Length		
					1201-1350 1100	1	9-25476-11-0-1
					1351-1600 1350	1	9-25476-14-0-1
1	2	1	1	2	Geared handle SPACIO [1]	10	G-46551-96-0-*
					hole centre distance 104 mm – with screws		
1	2	1	1	2	Fixing plate	50	9-41506-00-0-8
					hole centre distance 104 mm		
1	2	1	1	2	Carrier	100	6-30984-00-0-1
					Corner transmission	100	6-24529-00-0-1
					SH		
2	4	2	2	4	730-1200		
3	6	3	3	6	1201-2400		
1	2	1	1	2	Box of adapter G.U-oZ	1	K-14141-01-0-0
					Locking pin element	20	6-24539-00-0-1
					SW SH		
1	4	1	1	2	600-1200 730-1200		
1	4	1	1	2	1201-2400		
3	8	3	3	6	1201-1600 730-1200		
3	8	3	3	6	1201-2400		
2	4	2	2	4	Positioning plate		
					Frame groove 10/14	20	6-25587-01-0-1
					Frame groove 12/15	20	6-25587-02-0-1
					Frame groove 14/18	20	6-25587-03-0-1
					Locking plate	100	6-30959-00-0-1
					alternatively for + 0,7 mm gasket pressure		
					Locking plate	100	6-30959-01-0-1
					SW SH		
5	12	5	5	10	600-1200 730-1200		
7	16	7	7	14	1201-2400		
7	16	7	7	14	1201-1600 730-1200		
9	20	9	9	18	1201-2400		

[1] * = Colour: 1 = EV 1, 5 = UC 5, 7 = white (RAL 9016)

Working drawing
G.U-968/150 oZ 0-44495

Doors and windows with mill-in gear and lock with cylinder bore, for sash profiles with euro groove 15/20 mm



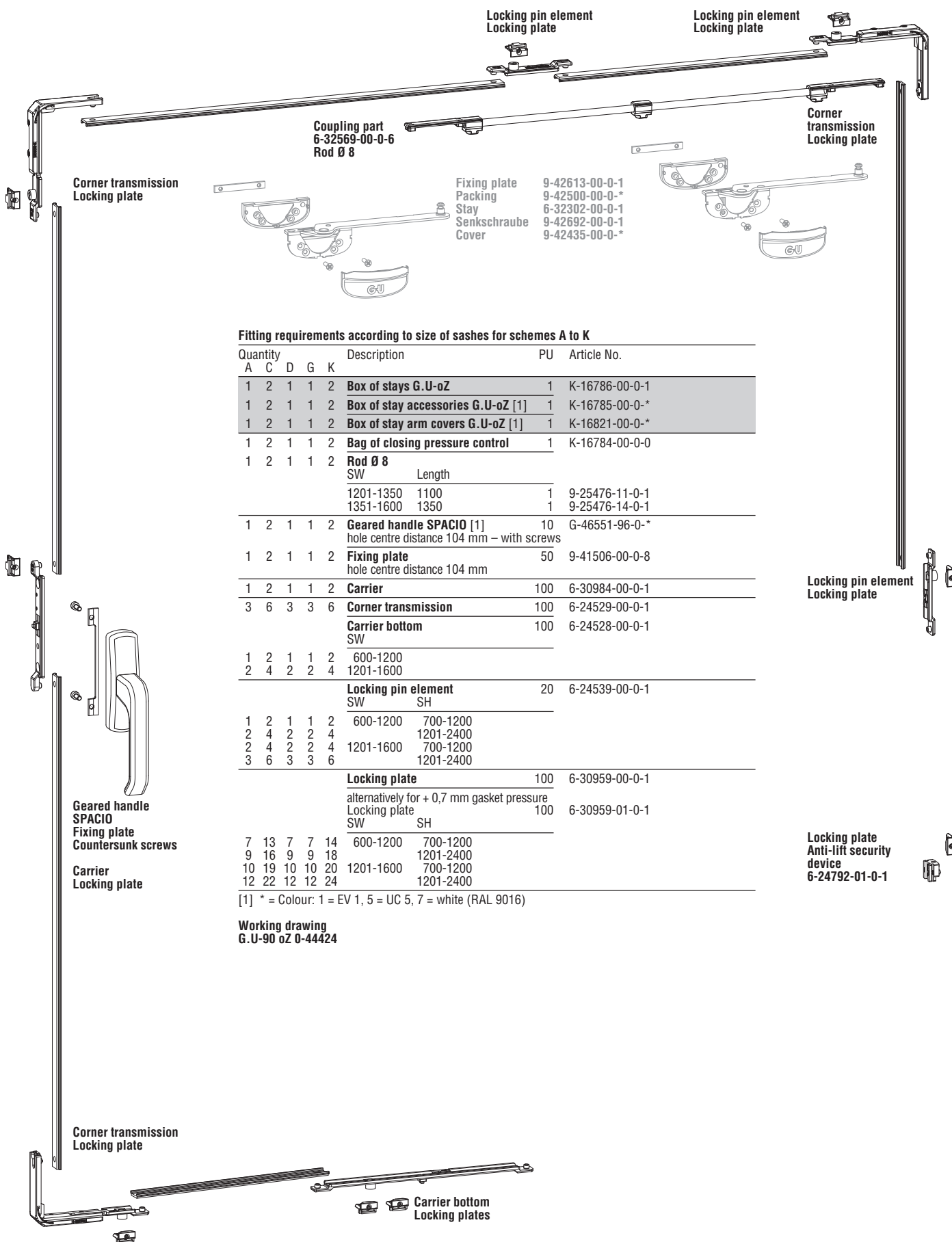
Fitting requirements according to size of sashes for schemes A to K

Quantity					Description	PU	Article No.
A	C	D	G	K			
1	2	1	1	2	Box of stays G.U-oZ	1	K-16786-00-0-1
1	2	1	1	2	Box of stay accessories G.U-oZ [1]	1	K-16785-00-0-*
1	2	1	1	2	Box of stay arm covers G.U-oZ [1]	1	K-16821-00-0-*
1	2	1	1	2	Bag of closing pressure control	1	K-16784-00-0-0
1	2	1	1	2	Rod Ø 8		
					SW Length		
					1201-1350 1100	1	9-25476-11-0-1
					1351-1600 1350	1	9-25476-14-0-1
1	2	1	1	2	Handle DIRIGENT-F [1]	20	6-28072-25-0-*
2	4	2	2	4	Countersunk screw M 5 x 30	400	9-13255-30-0-1
1	2	1	1	2	Mill-in gear 180°	10	6-31280-00-0-1
					alternatively		
1	2	1	1	2	Mill-in gear 180° [2]	10	6-25916-**-0-1
1	2	1	1	2	Lock with cylinder bore [2]	10	6-25918-**-0-1
					additional for lock with cylinder bore		
1	2	1	1	2	Rosette PZ inside [1]	20	6-25224-02-0-*
2	4	2	2	4	Countersunk screw M 5 x 30	400	9-13255-30-0-1
					Corner transmission SH	100	6-24529-00-0-1
					730-1200		
					1201-2400		
1	2	1	1	2	Box of adapter G.U-oZ	1	K-14141-01-0-0
					Locking pin element SW	20	6-24539-00-0-1
					SH		
1	4	1	1	2	600-1200 730-1200		
1	4	1	1	2	1201-2400		
3	8	3	3	6	1201-1600 730-1200		
3	8	3	3	6	1201-2400		
2	4	2	2	4	Positioning plate		
					Frame groove 10/14	20	6-25587-01-0-1
					Frame groove 12/15	20	6-25587-02-0-1
					Frame groove 14/18	20	6-25587-03-0-1
					Locking plate	100	6-30959-00-0-1
					alternatively for + 0,7 mm gasket pressure		
					Locking plate SW	100	6-30959-01-0-1
					SH		
4	11	4	4	8	600-1200 730-1200		
6	15	6	6	12	1201-2400		
7	15	6	6	12	1201-1600 730-1200		
8	19	8	8	16	1201-2400		

[1] * = Colour: 1 = EV 1, 5 = UC 5, 7 = white (RAL 9016)
 [2] ** = Bakset 25, 30, 35, 40, 45 and 50 mm

Working drawing
 G.U-968/150 oZ 0-44495

Doors and windows with geared handle inside for sash profiles with euro groove 15/20 mm



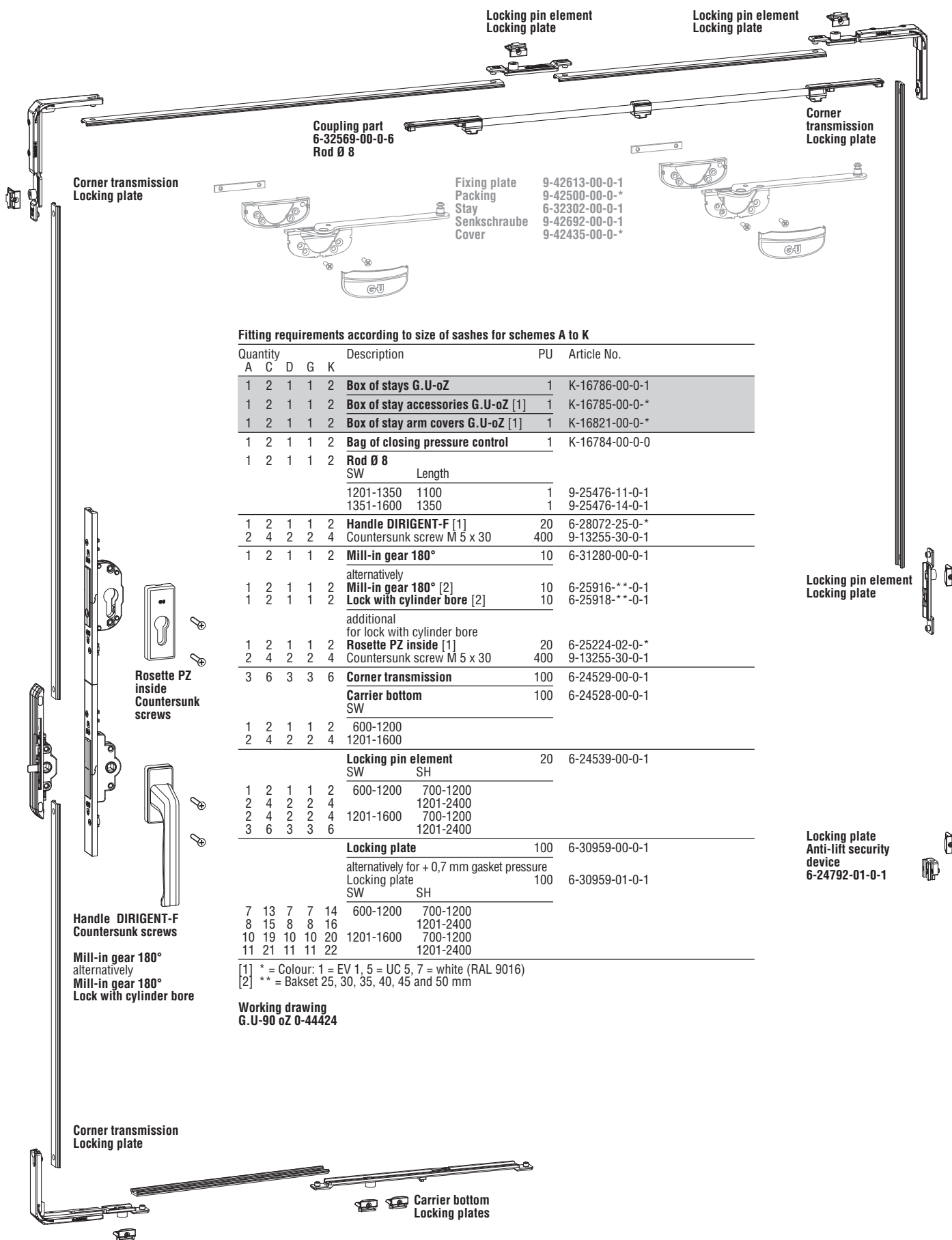
Fitting requirements according to size of sashes for schemes A to K

Quantity					Description	PU	Article No.
A	C	D	G	K			
1	2	1	1	2	Box of stays G.U-oZ	1	K-16786-00-0-1
1	2	1	1	2	Box of stay accessories G.U-oZ [1]	1	K-16785-00-0-*
1	2	1	1	2	Box of stay arm covers G.U-oZ [1]	1	K-16821-00-0-*
1	2	1	1	2	Bag of closing pressure control	1	K-16784-00-0-0
1	2	1	1	2	Rod Ø 8		
					SW Length		
					1201-1350 1100	1	9-25476-11-0-1
					1351-1600 1350	1	9-25476-14-0-1
1	2	1	1	2	Geared handle SPACIO [1]	10	G-46551-96-0-*
					hole centre distance 104 mm – with screws		
1	2	1	1	2	Fixing plate	50	9-41506-00-0-8
					hole centre distance 104 mm		
1	2	1	1	2	Carrier	100	6-30984-00-0-1
3	6	3	3	6	Corner transmission	100	6-24529-00-0-1
					Carrier bottom	100	6-24528-00-0-1
					SW		
					600-1200		
1	2	1	1	2	Locking pin element	20	6-24539-00-0-1
					SW SH		
					600-1200 700-1200		
2	4	2	2	4			1201-2400
2	4	2	2	4			700-1200
3	6	3	3	6			1201-2400
					Locking plate	100	6-30959-00-0-1
					alternatively for + 0,7 mm gasket pressure		
					Locking plate	100	6-30959-01-0-1
					SW SH		
7	13	7	7	14	600-1200 700-1200		
9	16	9	9	18			1201-2400
10	19	10	10	20	1201-1600 700-1200		
12	22	12	12	24			1201-2400

[1] * = Colour: 1 = EV 1, 5 = UC 5, 7 = white (RAL 9016)

Working drawing
G.U-90 oZ 0-44424

Doors and windows with mill-in gear and lock with cylinder bore, for sash profiles with euro groove 15/20 mm



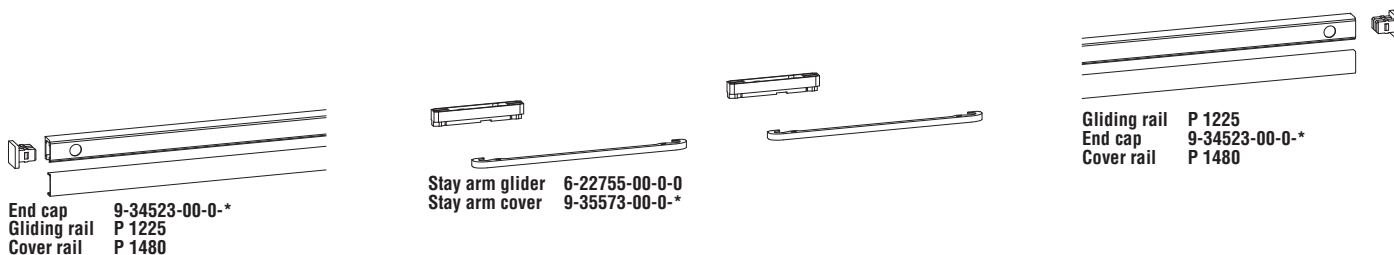
Fitting requirements according to size of sashes for schemes A to K

Quantity					Description	PU	Article No.
A	C	D	G	K			
1	2	1	1	2	Box of stays G.U-oZ	1	K-16786-00-0-1
1	2	1	1	2	Box of stay accessories G.U-oZ [1]	1	K-16785-00-0-*
1	2	1	1	2	Box of stay arm covers G.U-oZ [1]	1	K-16821-00-0-*
1	2	1	1	2	Bag of closing pressure control	1	K-16784-00-0-0
1	2	1	1	2	Rod Ø 8		
					SW	Length	
					1201-1350	1100	1 9-25476-11-0-1
					1351-1600	1350	1 9-25476-14-0-1
1	2	1	1	2	Handle DIRIGENT-F [1]	20	6-28072-25-0-*
2	4	2	2	4	Countersunk screw M 5 x 30	400	9-13255-30-0-1
1	2	1	1	2	Mill-in gear 180°	10	6-31280-00-0-1
					alternatively		
1	2	1	1	2	Mill-in gear 180° [2]	10	6-25916-**-0-1
1	2	1	1	2	Lock with cylinder bore [2]	10	6-25918-**-0-1
					additional		
					for lock with cylinder bore		
1	2	1	1	2	Rosette PZ inside [1]	20	6-25224-02-0-*
2	4	2	2	4	Countersunk screw M 5 x 30	400	9-13255-30-0-1
3	6	3	3	6	Corner transmission	100	6-24529-00-0-1
					Carrier bottom	100	6-24528-00-0-1
					SW		
					600-1200		
1	2	1	1	2			
2	4	2	2	4			
					Locking pin element	20	6-24539-00-0-1
					SW	SH	
					600-1200	700-1200	
1	2	1	1	2			
2	4	2	2	4			
2	4	2	2	4	1201-2400		
2	4	2	2	4	1201-1600	700-1200	
3	6	3	3	6		1201-2400	
					Locking plate	100	6-30959-00-0-1
					alternatively for + 0,7 mm gasket pressure		
					Locking plate	100	6-30959-01-0-1
					SW	SH	
					600-1200	700-1200	
7	13	7	7	14			
8	15	8	8	16			
10	19	10	10	20	1201-1600	700-1200	
11	21	11	11	22		1201-2400	

[1] * = Colour: 1 = EV 1, 5 = UC 5, 7 = white (RAL 9016)
 [2] ** = Bakset 25, 30, 35, 40, 45 and 50 mm

Working drawing
 G.U-90 oZ 0-44424

Doors and windows with sash width SW up to 2000 mm and sash weight up to 200 kg – euro groove 15/20 mm



End cap 9-34523-00-0-
Gliding rail P 1225
Cover rail P 1480

Stay arm glider 6-22755-00-0-0
Stay arm cover 9-35573-00-0-*

Gliding rail P 1225
End cap 9-34523-00-0-
Cover rail P 1480

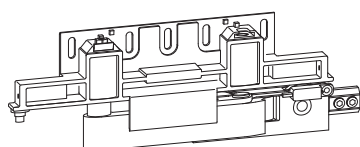
Fitting requirements according to size of sashes for schemes A to K

Quantity					Description	PU	Article No.	
A	C	D	G	K			Handle pos. lh	Handle pos. rh
1	2*	1	1	2*	Box of runners G.U-968/200 Contents 1 Runner, front 1 Runner, rear	1	K-15268-00-L-0	K-15268-00-R-0
		1			Positioning pin D for control part	1	9-39897-00-0-1	
1	2	1	1	2	Bag of profiles G.U-968/200 [1] Contents 1 Rod Ø 10 mm 1 Gliding rail P 1225 1 Running rail P 1213 1 Cover rail P 1480 1 Cover rail P 1603 1 Box of accessories			
SW								
					740- 850	1	K-15269-20-0-*	
					851-1100	1	K-15269-25-0-*	
					1101-1350	1	K-15269-30-0-*	
					1351-1600	1	K-15269-35-0-*	
					1601-1850	1	K-15269-40-0-*	
					1851-2000	1	K-15269-45-0-*	

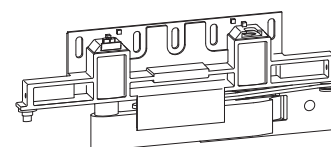
[1] * = Colour: 1 = EV 1, 5 = UC 5, 7 = white (RAL 9016)
[2] * = 1 box for handle pos. lh, 1 box for handle pos. rh

Note for G.U-968/200 mZ:
For sashes with heavy glazing, tandem runners are required.

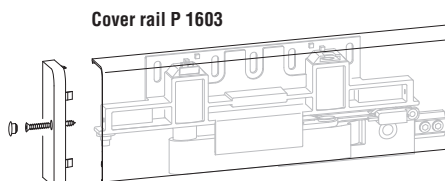
Working drawings
G.U-968/200 mZ 0-43855
G.U-968/200 mZ Scheme C 0-43861



Runner, front lh 6-32332-00-L-0
rh 6-32332-00-R-0



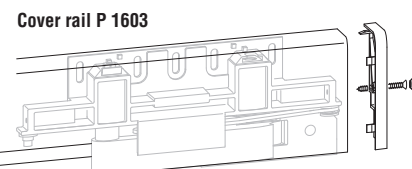
Runner, rear lh 6-29557-00-L-0
rh 6-29557-00-R-0



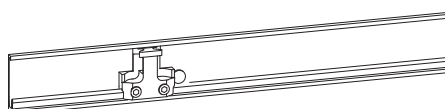
Cover 9-26687-00-0-
Countersunk screw 9-13151-38-0-0
End cap 9-38520-00-L-*

Support 9-38527-00-0-0

Rod Guide Ø 10 mm 6-29750-00-0-1



End cap 9-38520-00-R-
Countersunk screw 9-13151-38-0-0
Cover 9-26687-00-0-*

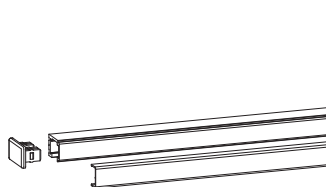


Running rail P 1213
Control part 6-33328-00-0-
Positioning pin D for control part



Running rail P 1213
Spring-loaded buffer 6-29564-00-0-*

Doors and windows with sash width SW up to 1600 mm and sash weight up to 150 kg – euro groove 15/20 mm



End cap 9-34523-00-0-
Gliding rail P 1225
Cover rail P 1480



Stay arm glider 6-22755-00-0-0



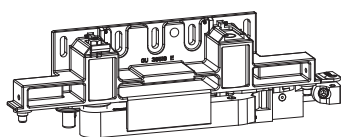
Gliding rail P 1225
End cap 9-34523-00-0-
Cover rail P 1480

Fitting requirements according to size of sashes for schemes A to K

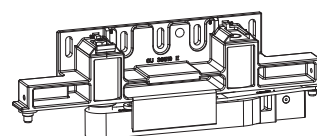
Quantity		Description		PU	Article No.			
A	C	D	G	K	[2]	Handle pos. lh	Handle pos. rh	
1	2*	1	1	2*	Box of runners G.U-968/200 Contents	1	K-15278-00-L-0	K-15278-00-R-0
					1 Runner, front 1 Runner, rear			
				1	Positioning pin D for control part	1	9-39897-00-0-1	
1	2	1	1	2	Bag of profiles G.U-968/150 [1] Contents			
					1 Rod Ø 8 mm 1 Gliding rail P 1225 1 Running rail P 1300 1 Cover rail P 1480 1 Cover rail P 1608 1 Box of accessories			
					SW			
					600- 850	1	K-15279-20-0-*	
					851-1100	1	K-15279-25-0-*	
					1101-1350	1	K-15279-30-0-*	
					1351-1600	1	K-15279-35-0-*	

[1] * = Colour: 1 = EV 1, 5 = UC 5, 7 = white (RAL 9016)
[2] * = 1 box for handle pos. lh, 1 box for handle pos. rh

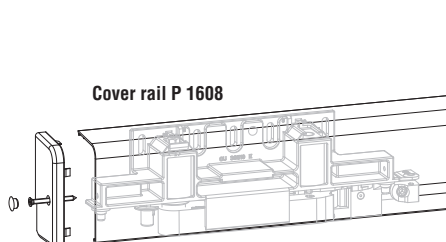
Working drawings
G.U-968/150 mZ 0-43905
G.U-968/150 mZ Scheme C 0-43861
G.U-968/150 OZ 0-44495



Runner, front lh 6-32545-00-L-0
rh 6-32545-00-R-0



Runner, rear lh 6-29561-00-L-0
rh 6-29561-00-R-0



Cover 9-26687-00-0-
Countersunk screw 9-13151-38-0-0
End cap 9-38543-00-L-*

Support 9-38527-00-0-0

Rod Guide Ø 8 mm 6-24764-00-0-1

Cover rail P 1608

End cap 9-38543-00-R-
Countersunk screw 9-13151-38-0-0
Cover 9-26687-00-0-*



Running rail P 1300
Control part 6-33329-00-0-
Positioning pin D for control part



Running rail P 1300
Spring-loaded buffer 6-29565-00-0-*